

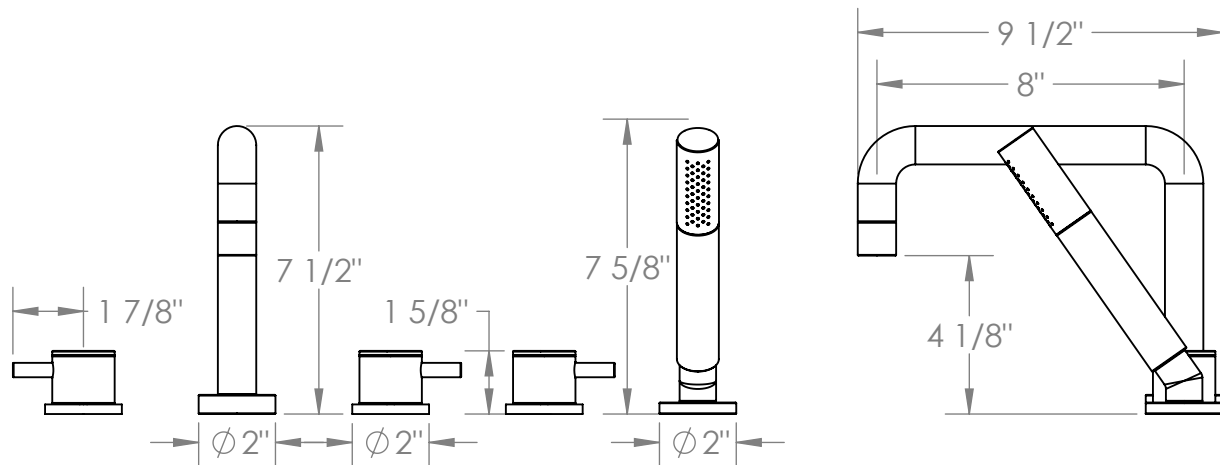
22-8.26.1-TIC

Deck Mounted 5 Hole Square Bath Set

Includes SH-TIT30 Hans Shower

Hand Shower Flow Rate: 1.75 GPM

Bath Spout Flow Rate: MAX. 8 GPM @ 60 PSI



Meets the applicable requirements of ASME A112.18.1-2005/CSA B125.1-05, entitled "Plumbing Supply Fittings"

WATERMARK DESIGNS 8/27/2019

350 Dewitt Ave Brooklyn NY 11207 USA T 718 257 2800 F 718 257 2144 info@watermark-designs.com