

Trim for Wall Valve

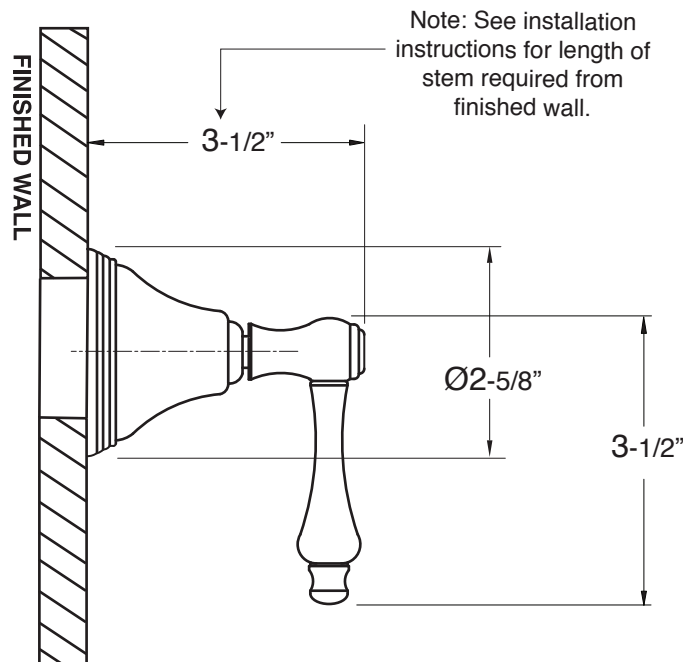
1.000387T

Trim Only

Lexington Handle

FEATURES:

- All brass construction.
- Solid brass style handles.
- Available in all finishes. Warranty varies according to finish selection.
- Certified to meet or exceed the following codes and standards:
ASME A112.18.1/CSAB 125.1-2012.



For this 16pt handle and trim, use with the following valves:

18.30.020 - 1/2" Volume Control - Replacement Cartridge: 18.30.036

18.30.023 - 3/4" Volume Control - Replacement Cartridge: 18.30.011

18.30.255 - 3 Port In-Wall Diverter - Replacement Cartridge: 18.30.259

18.30.253 - 4 Port In-Wall Diverter - Replacement Cartridge: 18.30.257