

For Residential, Commercial and Snowmelt Applications

Job Name _____

Contractor _____

Job Location _____

Approval _____

Engineer _____

Contractor's P.O. No. _____

Approval _____

Representative _____

SS-T20 Press Fitting

RadiantPEX-AL Connection

Sizes: 1/2", 5/8"

SS-T20 Press fittings are designed to be used in radiant heating and snowmelting applications, with water or water/glycol solutions. SS-T20 Press fittings are designed to be used solely with RadiantPEX-AL tubing and Watts Radiant's Stainless Steel or T20 manifolds. No other tubing type or manifold may be used.

Specifications

System shall be installed using Watts RadiantPEX-AL tubing and SS-T20 fittings. All connections shall be made in accordance with corresponding installation guidelines.

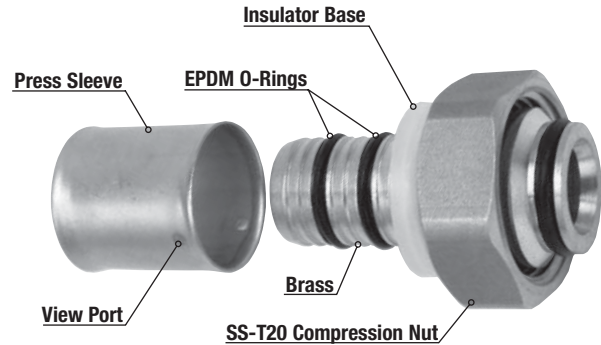
Connections shall use Watts Radiant SS-T20 fittings and RadiantPEX-AL composite cross-linked polyethylene tubing.

Material	Properties
Insert Barb	37700 Brass
Sleeve	300 Series Stainless Steel
O-Rings	EPDM
Insulator	Polyethylene
Nominal Barb Size	1/2", 5/8" od
Connection Type	3/4" BSP
Max. Operating Temperature	180°F
Max. Operating Pressure	100 psi

Installation

RadiantPEX-AL must be installed in accordance with all Watts Radiant installation procedures, including information provided in the RadiantPEX-AL installation manual and guidelines.

1. Cut a clean, square end to the tube.
2. Use the Reamer tool to shape and prep the tubing.
3. Make sure the insulator base is in place at the base of the fitting.
4. Make sure the Press sleeve is seated against the insulator base of the connection.
5. Slide the RadiantPEX-AL tubing onto the fitting until the tubing is visible in the view port.
6. Place the Press fitting into one side of the jaws.
7. Close the jaws firmly. Tool will stop automatically when complete.
8. Place the base of the fitting into the compression base.
9. Begin threading the compression nut onto the base.
10. Use a box-end wrench to complete the connection (**do not use a crescent wrench**). Tighten the connection until snug and then an additional 1/4 turn.



SS-T20 Press Fitting

Standards and Listings



Manufactured in accordance with American society for Testing and Materials (ASTM) F-1281.



Tested and listed by the National Sanitation foundation (NSF-pw – Standards 14 and 61 and NSF-rfh).



Carries the UPC certification mark, as approved by the International Association of Plumbing and Mechanical Officials (IAPMO).

SS-T20 Press Fittings all that apply

<input checked="" type="checkbox"/>	Description	Part #	Order #
<input type="checkbox"/>	3/4" SS-T20 x 1/2" Press	RLP01B-08T20	81007673
<input type="checkbox"/>	3/4" SS-T20 x 5/8" Press	RLP01B-10T20	81007674

Fittings should not be installed when the ambient temperature is below 30°F (0°C).



A subsidiary of Watts Water Technologies, Inc.

Watts product specifications in U.S. customary units and metric are approximate and are provided for reference only. For precise measurements, please contact Watts Technical Service. Watts reserves the right to change or modify product design, construction, specifications, or materials without prior notice and without incurring any obligation to make such changes and modifications on Watts products previously or subsequently sold.

For Residential, Commercial and Snowmelt Applications

Job Name _____

Contractor _____

Job Location _____

Approval _____

Engineer _____

Contractor's P.O. No. _____

Approval _____

Representative _____

SS-T20 Compression Fitting

RadiantPEX-AL Connection

Sizes: 1/2", 5/8"

SS-T20 Compression fittings are designed to be used in radiant heating and snowmelting applications, with water or water/glycol solutions. SS-T20 Compression fittings are designed to be used solely with RadiantPEX-AL tubing and Watts Radiant's Stainless Steel or T20 manifolds. No other tubing type or manifold may be used.

Specifications

System shall be installed using Watts RadiantPEX-AL tubing and SS-T20 fittings. All connections shall be made in accordance with corresponding installation guidelines.

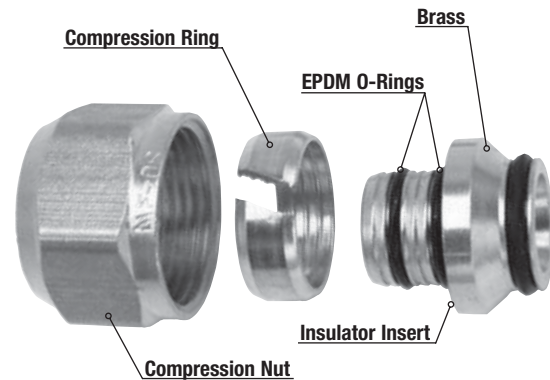
Connections shall use Watts Radiant SS-T20 fittings and RadiantPEX-AL composite cross-linked polyethylene tubing.

Material	Properties
Insert Barb	37700 Brass
Sleeve	300 Series Stainless Steel
O-Rings	EPDM
Insulator	Polyethylene
Nominal Barb Size	1/2", 5/8" od
Connection Type	3/4" BSP
Max. Operating Temperature	180°F
Max. Operating Pressure	100 psi

Installation

RadiantPEX-AL must be installed in accordance with all Watts Radiant installation procedures, including information provided in the RadiantPEX-AL installation manual and guidelines.

1. Cut a clean, square end to the tube.
2. Use the Reamer tool to shape and prep the tubing.
3. Slide the compression nut over the tubing.
4. Slide the compression ring over the tubing.
5. Make sure the insulator insert is in place at the base of the fitting.
6. Slide the tubing over the fitting. Make sure the tubing is seated against the insulator insert.
7. Place the base of the fitting into the compression base.
8. Slide the compression nut up and begin threading it onto the base. The compression ring will automatically be positioned over the fitting.
9. Use a box-end wrench to complete the connection (**do not use a crescent wrench**). Tighten the connection until snug and then an additional 1/4 turn.



SS-T20 Compression Fitting

Standards and Listings



Manufactured in accordance with American society for Testing and Materials (ASTM) F-1281.



Carries the UPC certification mark, as approved by the International Association of Plumbing and Mechanical Officials (IAPMO).

SS-T20 Compression Fittings (☑ all that apply)

☑	Description	Part #	Order #
<input type="checkbox"/>	3/4" SS-T20 x 1/2" Compression	RLC01B-08T20	81008087
<input type="checkbox"/>	3/4" SS-T20 x 5/8" Compression	RLC01B-10T20	81008089

Fittings should not be installed when the ambient temperature is below 30°F (0°C).

Compression fittings are for heating applications only. Do not use compression fittings for potable applications.