

Sinks

# VLBQS 816

LAB COLLECTION

**Design** Pierre Bélanger and WETSTYLE Design Lab



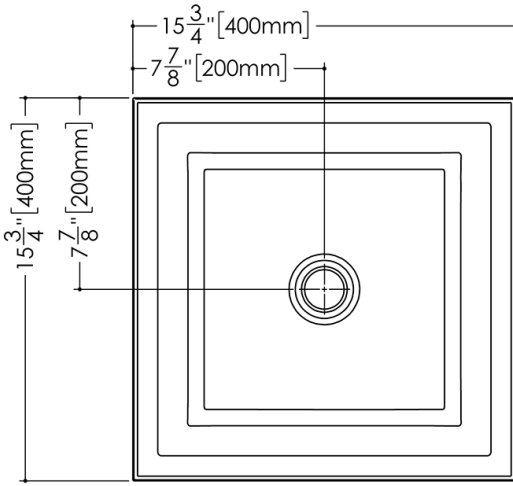
## FEATURES

Handcrafted in Montreal, Canada

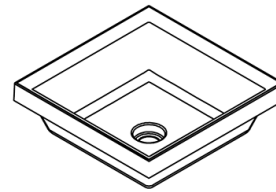
Option: Pop-up drain

## TECHNICAL DETAILS

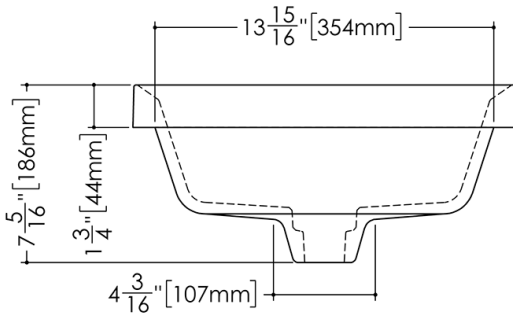
- **Width:** 15.75"
- **Length:** 15.75"
- **Height:** 1.5"
- **Weight:** 14 lbs / 6 kg



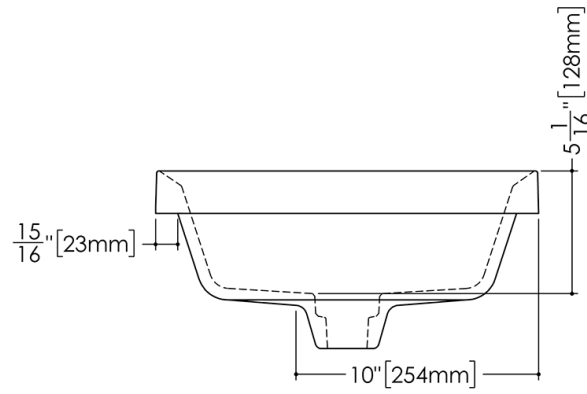
***Top View***



***Perspective View***  
***Esc: 1:12***



***Front View***



***Side View***

**VLBQS 816**

WETSTYLE cannot be held responsible for any technical errors and reserves the right to make revisions without notice. Approximate measurement. The manufacturer accepts 1/4" (6.35mm) variance.

## OPTIONS

### Model

- VLBQS816

### Overflow

- No Overflow

### WETMAR BiO Finish

- White Matte (#MA)
- White True High Gloss (#GA)

---

## NOTES

**IMPORTANT:** This sink has a recessed drain hole. For a perfect fit, we strongly recommend using the following drain model: DS02RF