



**Sinks**

# VCM 42

CUBE COLLECTION

**Design** Wetstyle Design Lab



## FEATURES

Handcrafted in Montreal, Canada

Installation type: above-counter

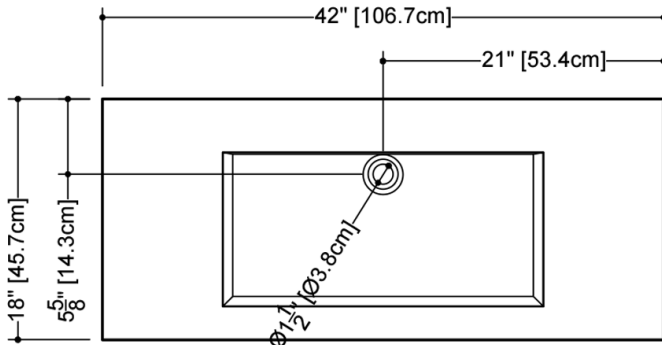
Available with or without overflow

Overflow trim finish options: polished chrome, brushed nickel, matte black, satin brass or no metallic trim

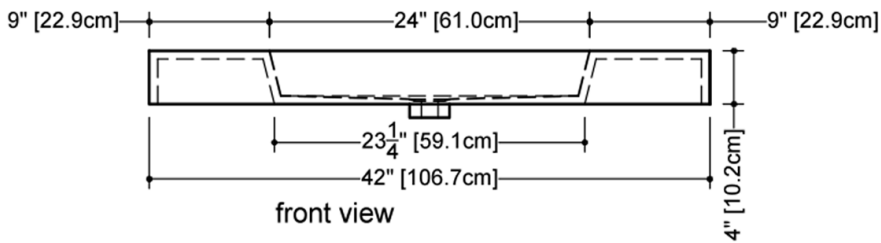
Faucet hole options: 1 hole (for mono faucet), 3 holes (for widespread faucet) or no hole (for wall-mounted faucet)

## TECHNICAL DETAILS

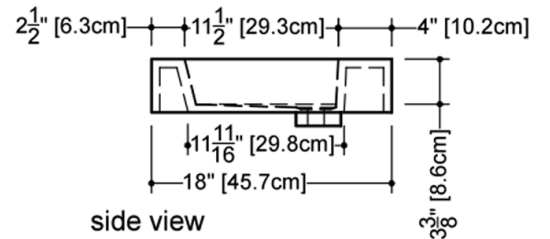
- **Width:** 18"
- **Length:** 42"
- **Height:** 4"
- **Weight:** 38 lbs / 17 kg



plan view



front view



side view

### VCM 42

WETSTYLE cannot be held responsible for any technical errors and reserves the right to make revisions without notice. Approximate measurement. The manufacturer accepts 1/4" (6.35mm) variance.

## OPTIONS

### Model

- VCM42

### Overflow

- No Overflow
- With Overflow - Brushed Nickel (#BN)
- With Overflow - Matte Black (#MB)
- With Overflow - No Trim (#NT)
- With Overflow - Polished Chrome (#PC)
- With Overflow - Satin Brass (#SB)

### WETMAR BiO Finish

- White Matte (#MA)
- White True High Gloss (#GA)

### Faucet Hole Drilling

- No Faucet Hole
- One Hole for Mono Faucet (#1)
- Three Holes for Widespread Faucet (#8)

## CODES/STANDARDS APPLICABLES

IAPMO-ANSI Z124.1  
IAPMO-ANSI Z124.3  
CSA B 45.0  
CSA B 45.4

## NOTES

**IMPORTANT - FOR FLOATING SINK INSTALLATION:** Bracket and/or decorative trim must be ordered at the same time as the lavatory.