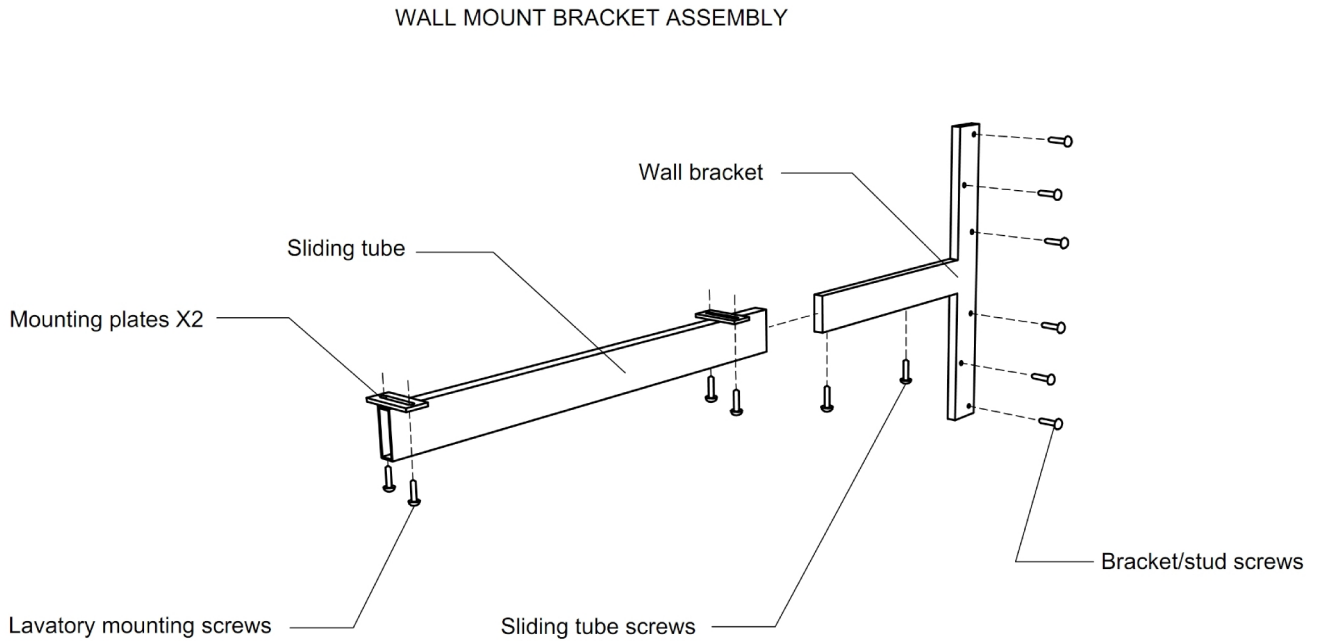




installation guide

Floating sink bracket system and decorative trim

Installation Guide Wall Mount Brackets



IMPORTANT

To install this product, the wall must be opened to the studs. This installation might require custom placement of studs relative to the position of the product in the room. Please read carefully the instruction related to your lavatory model.

1. WALL PREPARATION

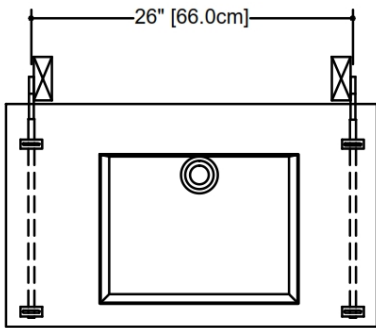
The Wall-mounted Lavatory is designed to be wall-mounted and needs special wall preparation.

1. Make sure that walls and floor are straight and level.
2. Determine the desired location of the lavatory.
3. The distance between studs is determined by the lavatory size you purchased. Refer to diagrams below to find the correct stud position to mount your lavatory.

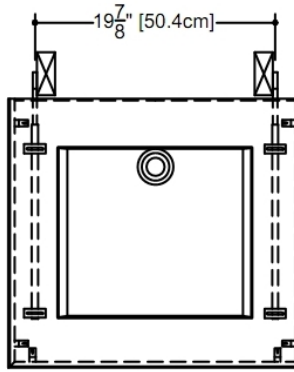
2. STUD PREPARATION (for metal stud preparation, see p.10)

Once you have positioned the studs to the correct center-to-center distance for your lavatory model, you can choose your lavatory's height. The recommended height would be to position the bottom of the bracket arm at 31 13/16" (80.8cm) from the floor to achieve a 34 1/2" total height with the lavatory (**SEE GRAPHIC ON P 6**). Once your height is set, mark a level horizontal line on the studs to represent the bottom line of this arm. Repeat this step on all studs requiring a bracket.

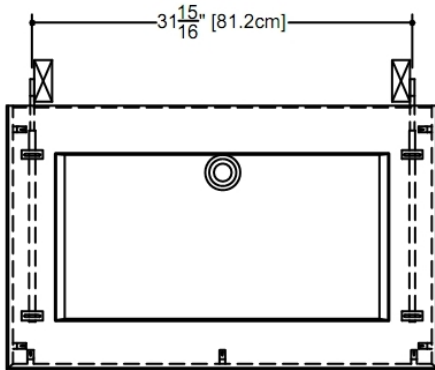
Distances measured from center bracket, tolerance of +/- 1/8" [0.3cm]



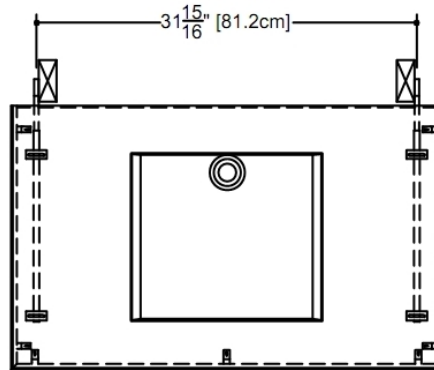
VCM30



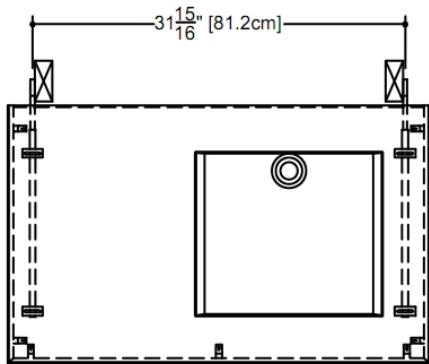
VC24 / VCS24 / VCM24 /
VOV24 / VOV24



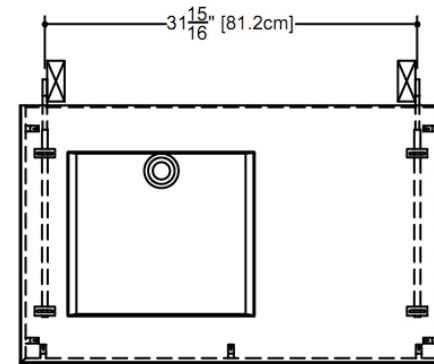
VC36 / VCS36 / VCM36 / VOV36 /
VOV36



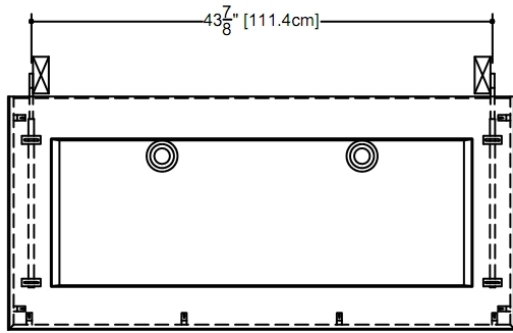
VC36C / VCS36C



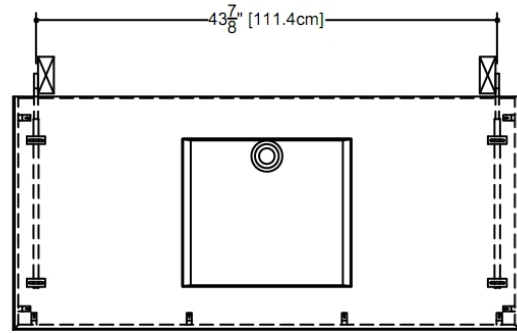
VC36R / VCS36R



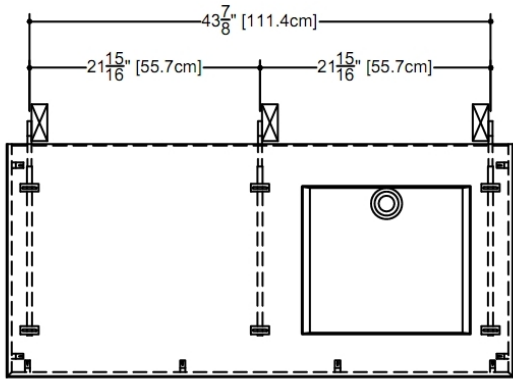
VC36L / VCS36L



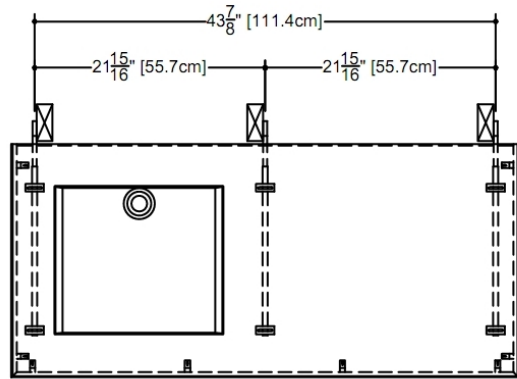
VC48 / VCS48 / VOV48 / VOV548



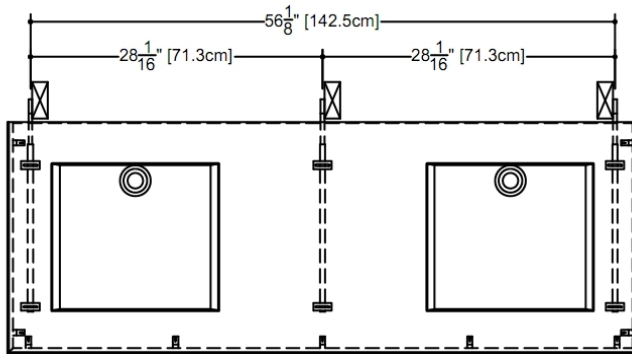
VC48C / VCS48C / VOV48C / VOV548C



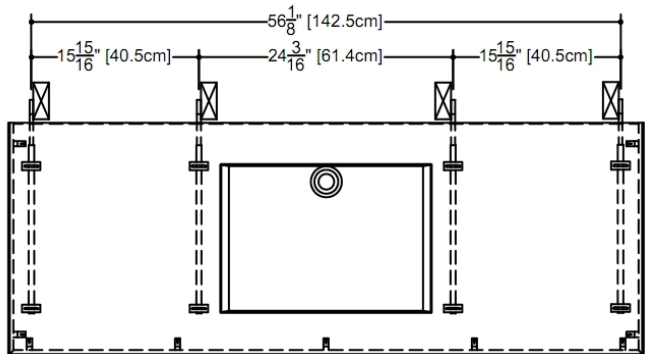
VC48R / VCS48R



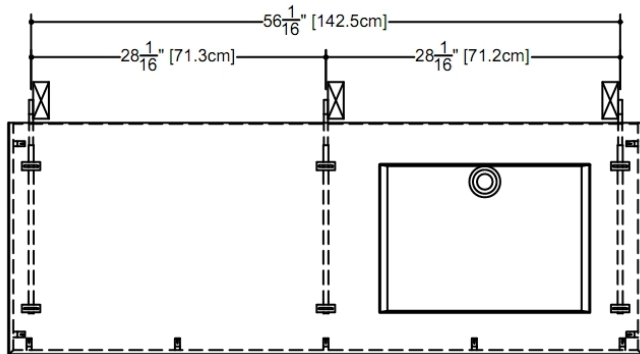
VC48L / VCS48L



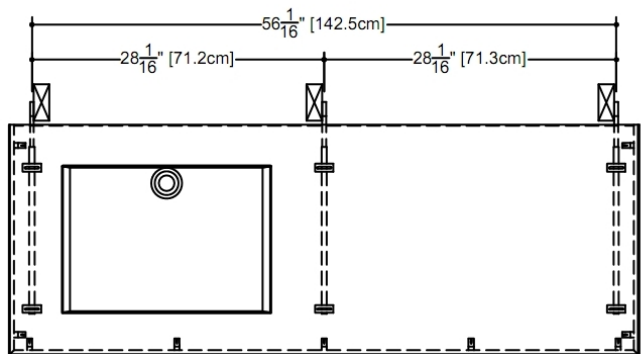
VC60 / VCS60



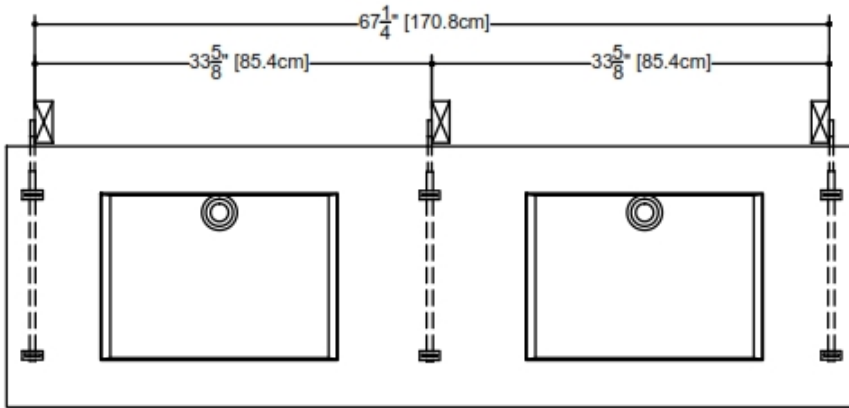
VC60C / VCS60C



VC60R / VCS60R



VC60L / VCS60L



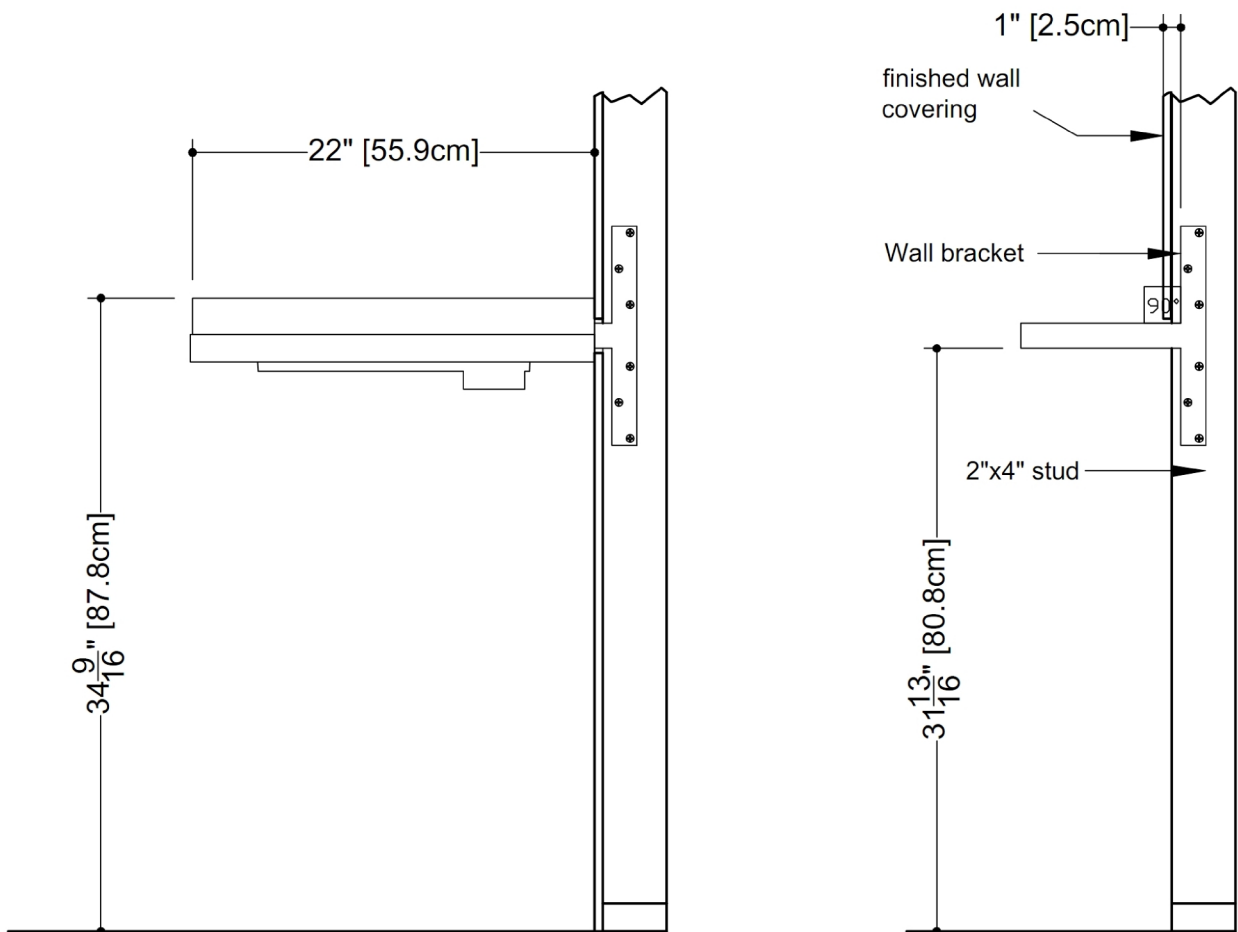
VC72

3. BRACKETS ATTACHMENT

Secure in place the wall bracket as deep into the wall as possible. We recommend each bracket be positioned 1" deeper than the wall covering using 6 screws #10 or #12 (not provided) for each bracket. Repeat the bracket attachment installation with all brackets required for your lavatory model.

IMPORTANT

Make sure the brackets are perfectly level.



NOTE

Picture shows 2' height lavatory with decorative trim. If you are installing a 4' height lavatory without decorative trim, follow the same procedure.

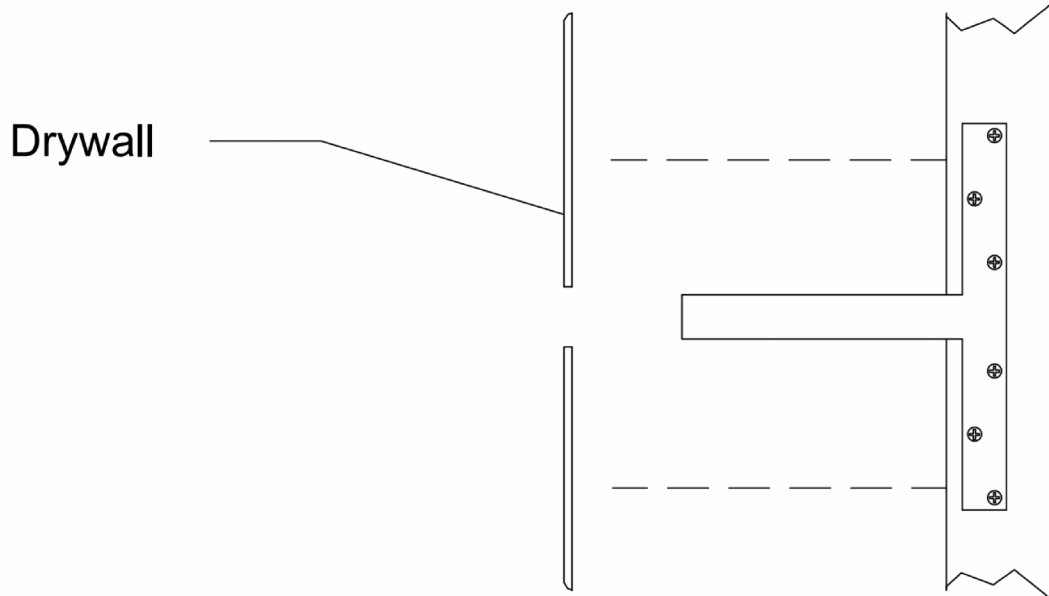
4. DRYWALL PREPARATION

Once all brackets are mounted in place and with the correct distances between them (specified for your lavatory model) you can finish the room's drywall installation and paint.

Finished wall should be built around the exposed arms of the wall brackets in place, tight holes should be cut around the bracket arms.

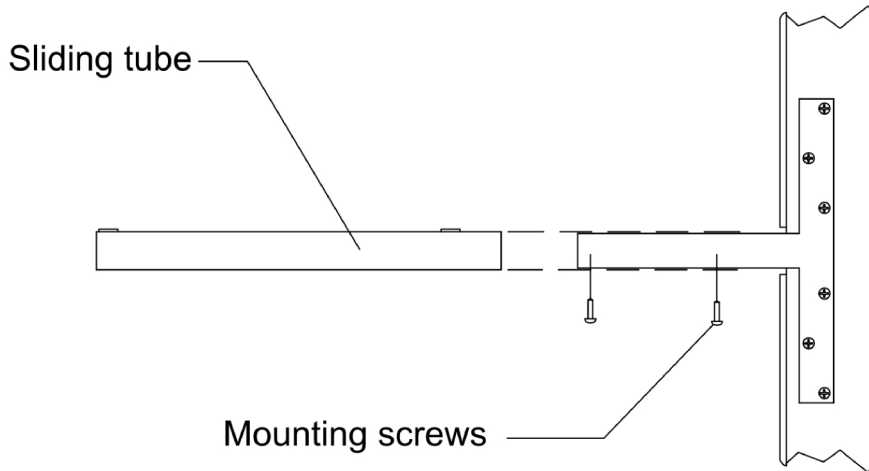
IMPORTANT

It's recommended to test the lavatory with decorative trim assembly fitting over the installed wall brackets before closing the studs with drywall.



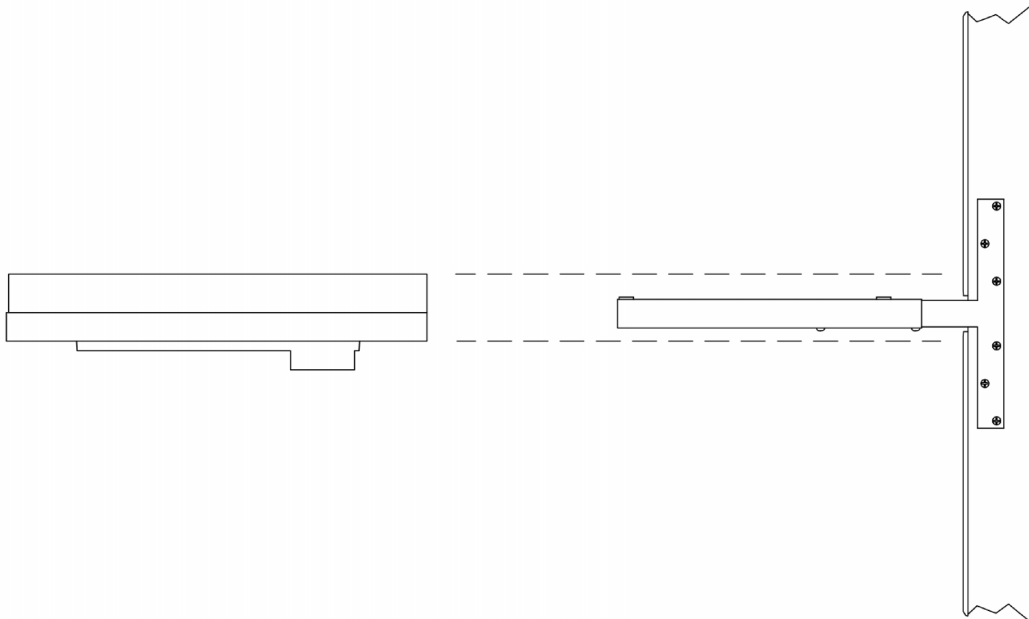
5. SLIDING TUBE INSTALLATION

Slide the rectangular sliding tube in place over the installed brackets. Secure them in place with both mounting screws provided (1/2" #8 wood screws) from under the tube.



6. LAVATORY PLACEMENT

You are now ready to mount the lavatory with the decorative trim already installed on the brackets. Slide the lavatory over the wall arm brackets in place.

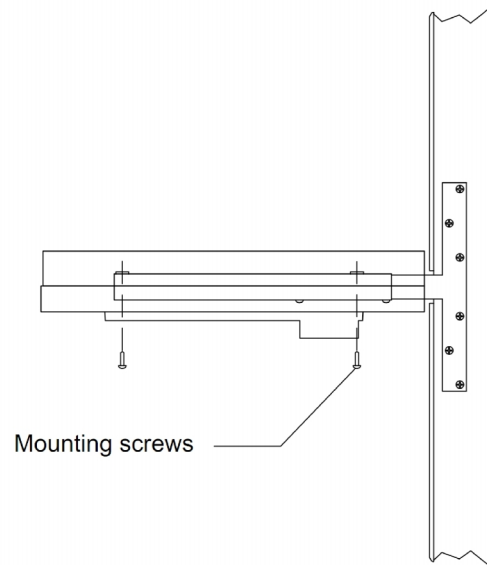


NOTE

Picture shows 2' height lavatory with decorative trim. If you are installing a 4' height lavatory without decorative trim, follow the same procedure.

7. LAVATORY INSTALLATION

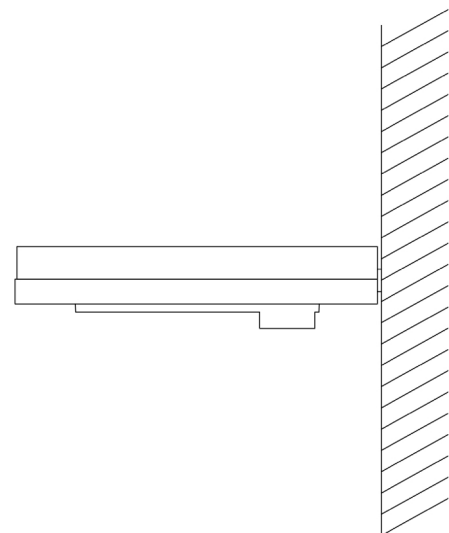
From under the lavatory, screw in the four 1/2" #8 wood screws provided per bracket into the wood mounting board in place under the lavatory. Shim between the bracket and the mounting board to ensure a level installation if required.



NOTE
 Picture shows 2' height lavatory with decorative trim. If you are installing a 4' height lavatory without decorative trim, follow the same procedure.

8. FINAL ASSEMBLY

Your lavatory is now wall mounted, if needed, adjust the lavatory position from the wall using the sliding tube screw adjustment from under the bracket arms.



NOTE
 Picture shows 2' height lavatory with decorative trim. If you are installing a 4' height lavatory without decorative trim, follow the same procedure.

RECOMMENDATION FOR INSTALLATION OF BRACKET SYSTEM TO WALLS CONSTRUCTED WITH METAL STUDS

The appropriate mounting hardware and the following guidelines need to be used to properly reinforce metal studs for the installation of Wetstyle wall mounted bracket systems and to maintain product warranties.

IMPORTANT

It is important to always use a qualified contractor when wall mounting lavatories or vanities. Units that are improperly installed may fail. Product warranties are voided when the product has not been properly installed.

METAL STUD REINFORCEMENT OR REPLACEMENT

The metal studs to be used for mounting need to be strengthened by either a) inserting wood studs that run the entire length and width of the metal studs, or b) to replace the metal studs with wood studs and brace them at the top and bottom. Wood studs must be 2" x 4" or greater, smaller studs are not suitable. It is important to have a qualified contractor to determine the correct size of the wood to create a secure fit and ensure safety.

FOR EXISTING CONSTRUCTION

Remove the wall covering from floor to ceiling to expose the entire length of the metal studs that are to be used. From this point, reinforce or replace the metal studs to be used following the procedures for above.

OPTIONAL METAL TUBING MOUNTING REQUIREMENTS

In place of wood studs for reinforcement, metal tubing can be installed. Metal tubing must be minimum 2" x 3" Thin Walled Steel Tube that run from top to bottom and properly braced. Different tubing thicknesses are available so it is important to have a qualified contractor to determine the correct thickness to create a secure fit and ensure safety. No additional wood studs are required for reinforcement.

LIMITED WARRANTY - WETSTYLE

WETSTYLE's warranty on **furniture and accessories products** covers all defects in materials and manufacturing for a period of one (1) year.

This limited warranty, starting on the original purchase date, is only offered to the original purchaser who acquires the product directly from WETSTYLE or from its authorized dealers.

This limited warranty does not apply to cases in which a product was incorrectly installed, nor to damage due to negligence, misuse, thermal shocks, cigarettes, flames, natural catastrophes or other accidents.

WETSTYLE is not responsible for costs and claims that may arise from purchase of a product unsuited to the structure of the existing building.

Any transformation or alteration made to a WETSTYLE product automatically voids the warranty.

The manufacturer's warranty is limited to repair or replacement (with a product of equal value), provided the claim is made to an authorized dealer or directly to WETSTYLE within the warranty period. Labour costs and any other expenses entailed by replacement of a WETSTYLE product are not covered by the warranty.

WETSTYLE products are certified CSA B45.0, CSA B45.4, ANSI Z124.1 and ANSI A124.3.



S T Y L E

www.WETSTYLE.CA - Montréal - Canada
Tel. **450.536.9000** - 1 888.536.9001 - Fax. 450.536.0202