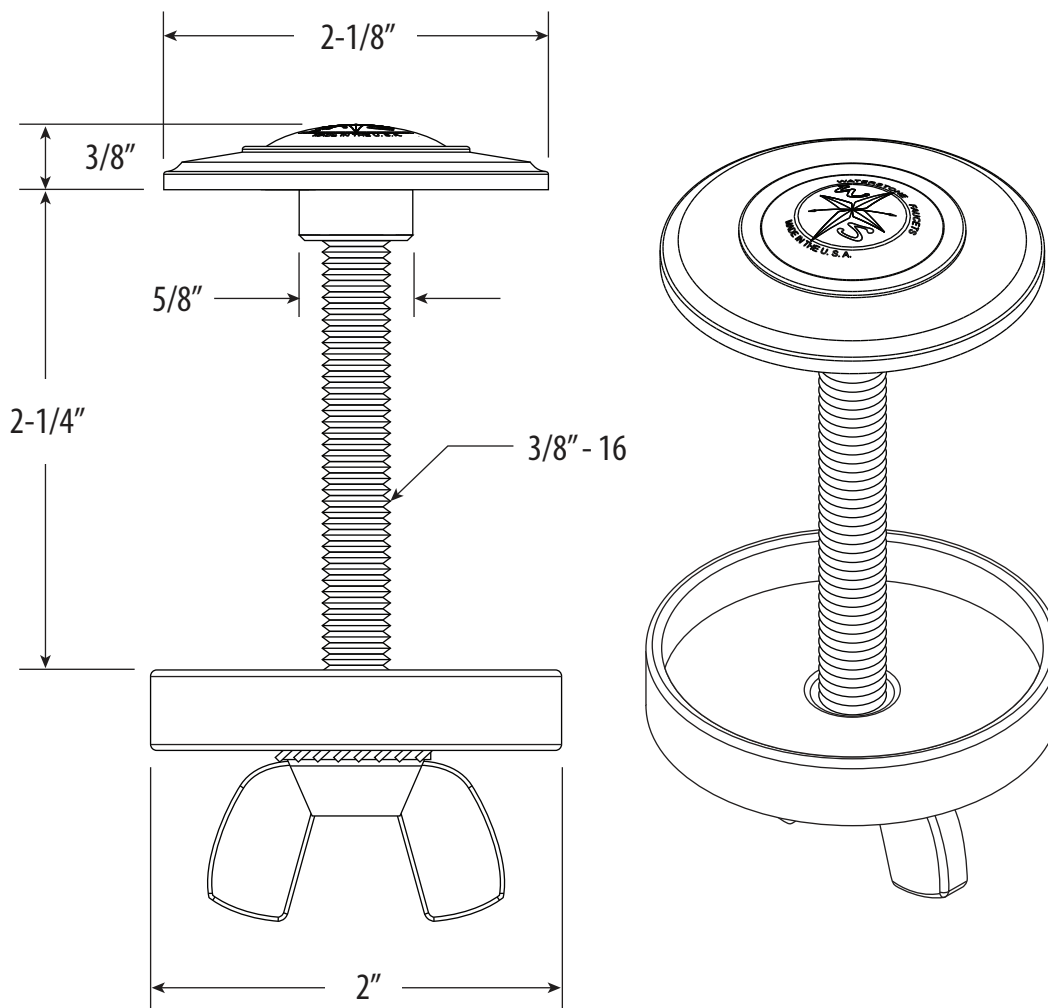


TRADITIONAL SINK HOLE COVER - COMPASS BUTTON

4070

- MAX COUNTER THICKNESS 2-1/4"
- INSTALL HOLE SIZE ADAPTABLE UP TO 1-3/8"



DIMENSIONS MAY VARY AND ARE SUBJECT TO CHANGE. NO RESPONSIBILITY IS ASSUMED FOR USE OF SUPERCEDED OR VOIDED DATA

 **ECO BRASS**
HIGH PERFORMANCE LEAD FREE BRASS