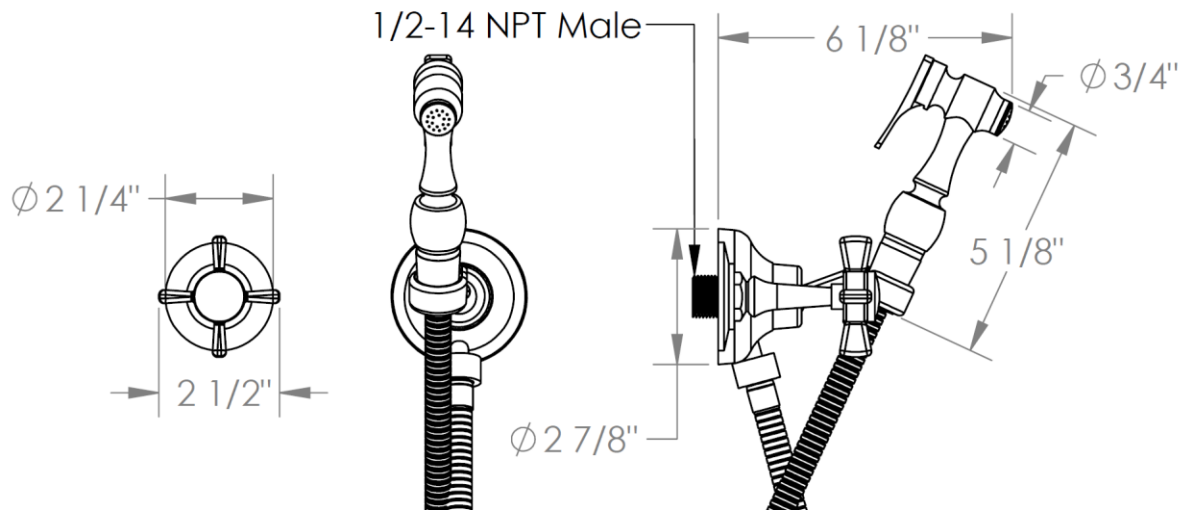


**34-4.4-B9M**

Wall Mounted Bidet Spray Set & Progressive Mixer with 49" hose  
Requires SS-SHV1.2 concealed rough

Flow Rate: 1.75 GPM

Note: Some building codes may require backflow preventers installed in the supply lines



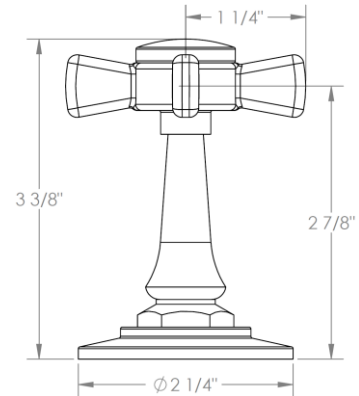
Meets the applicable requirements of ASME A112.18.1-2005/CSA B125.1-05, entitled "Plumbing Supply Fittings"

**WATERMARK DESIGNS 9/6/2018**

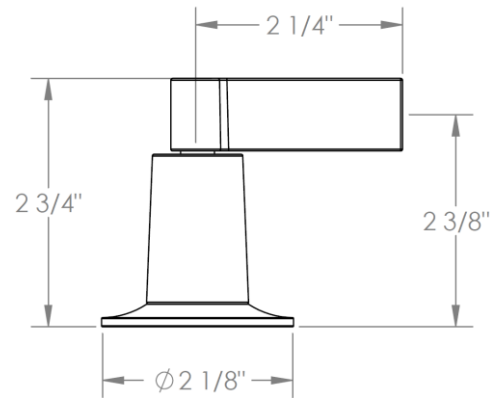
350 Dewitt Ave Brooklyn NY 11207 USA T 718 257 2800 F 718 257 2144 info@watermark-designs.com

## Haley Handle Trim Options

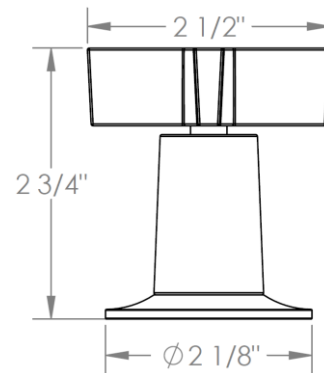
### B9M – SISTINA



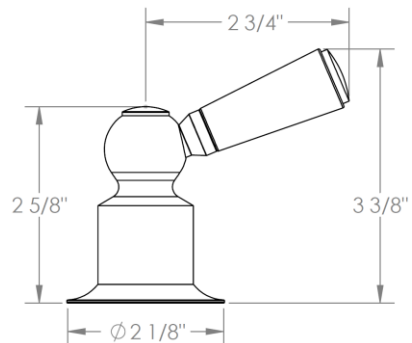
### DD2 – ASTAIRE



### DD3 – GARBO

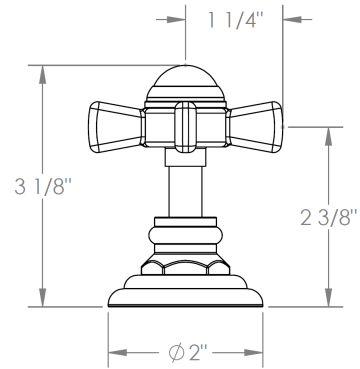


### H4 – HARMONIE



## Haley Handle Trim Options

### S1 – PRESTON



### S1A – NOTTINGHAM

