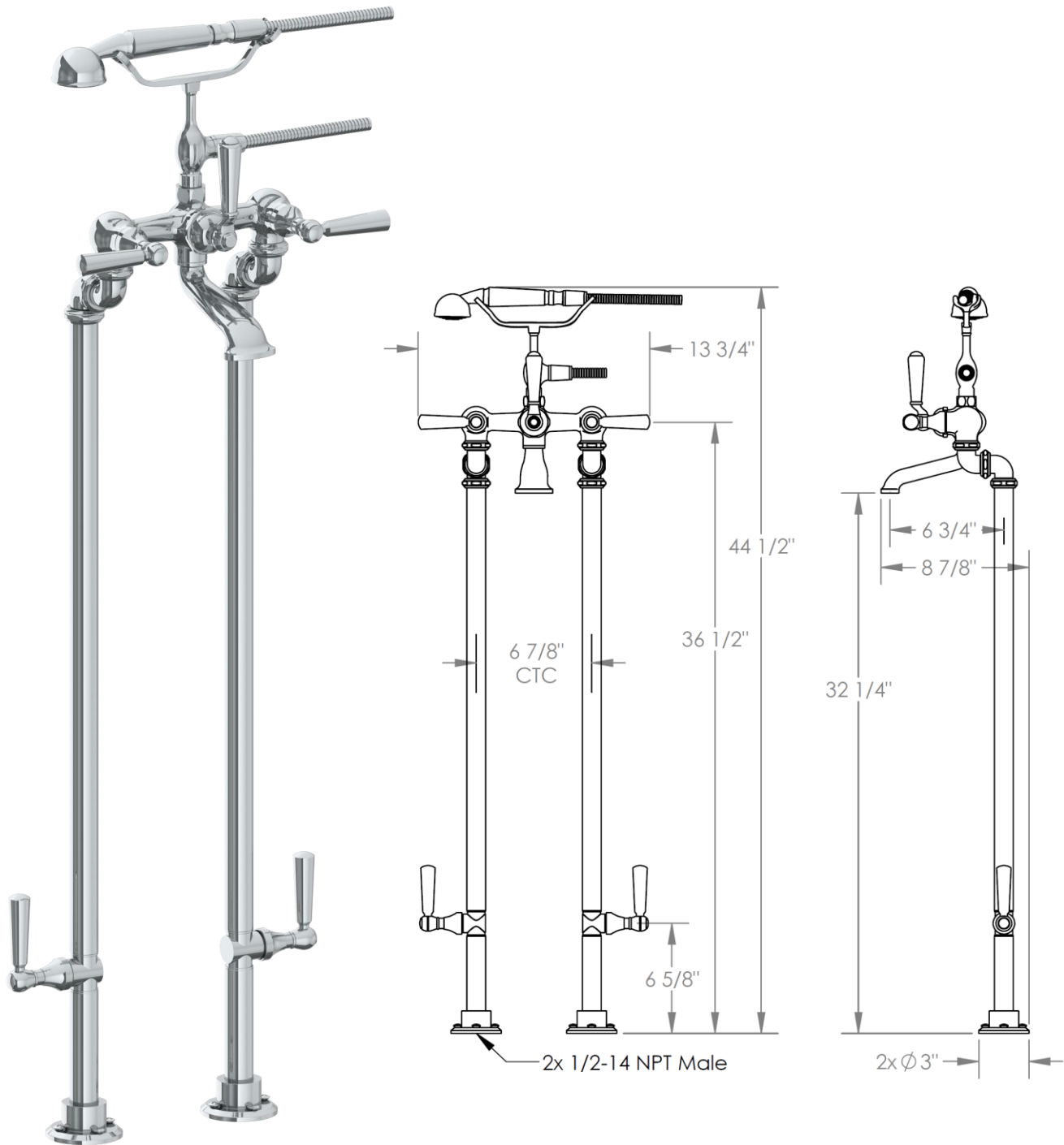


206-8.3STP-__

Floor Standing Bath Set with Hand Shower and Shut-Off Valves

Hand Shower Flow Rate: 1.75 GPM

Note: Some building codes may require remote pressure balance valves for anti-scald



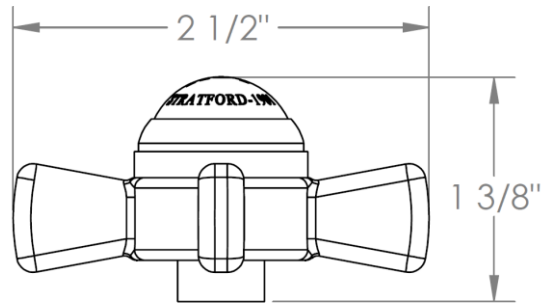
Meets the applicable requirements of ASME A112.18.1-2005/CSA B125.1-05, entitled "Plumbing Supply Fittings"

WATERMARK DESIGNS

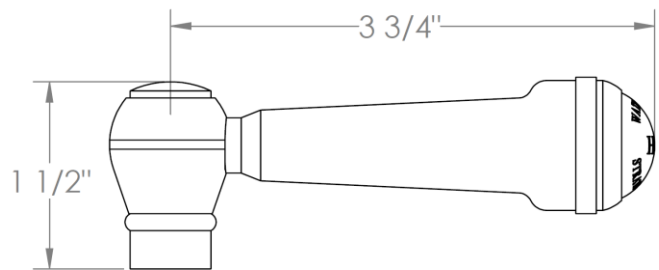
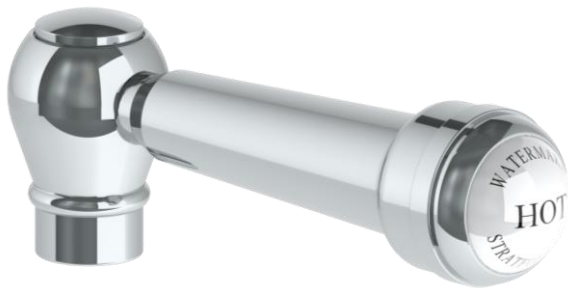
11/7/2018

HANDLE TRIM OPTIONS

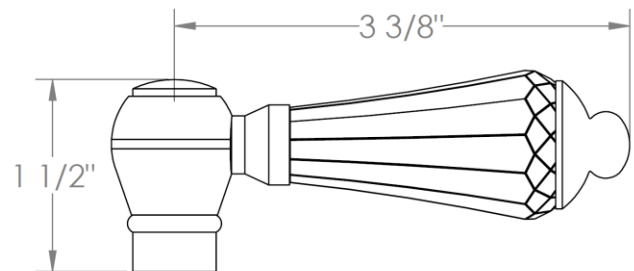
S1 - PRESTON



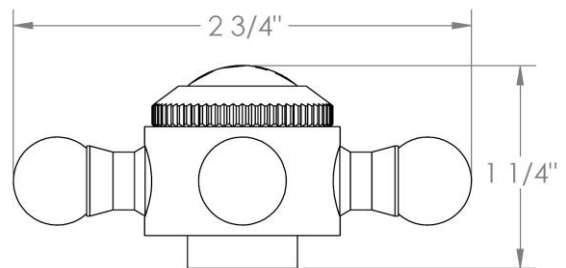
S2 - WALTHAM



SWA - DARIEN



V - WALES



S1A – NOTTINGHAM

