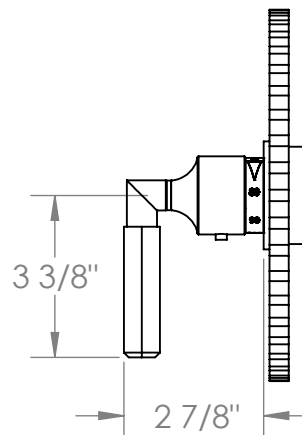
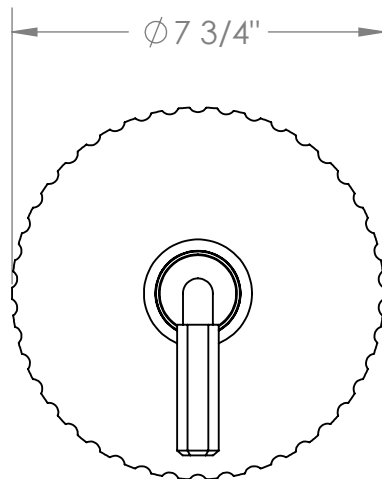
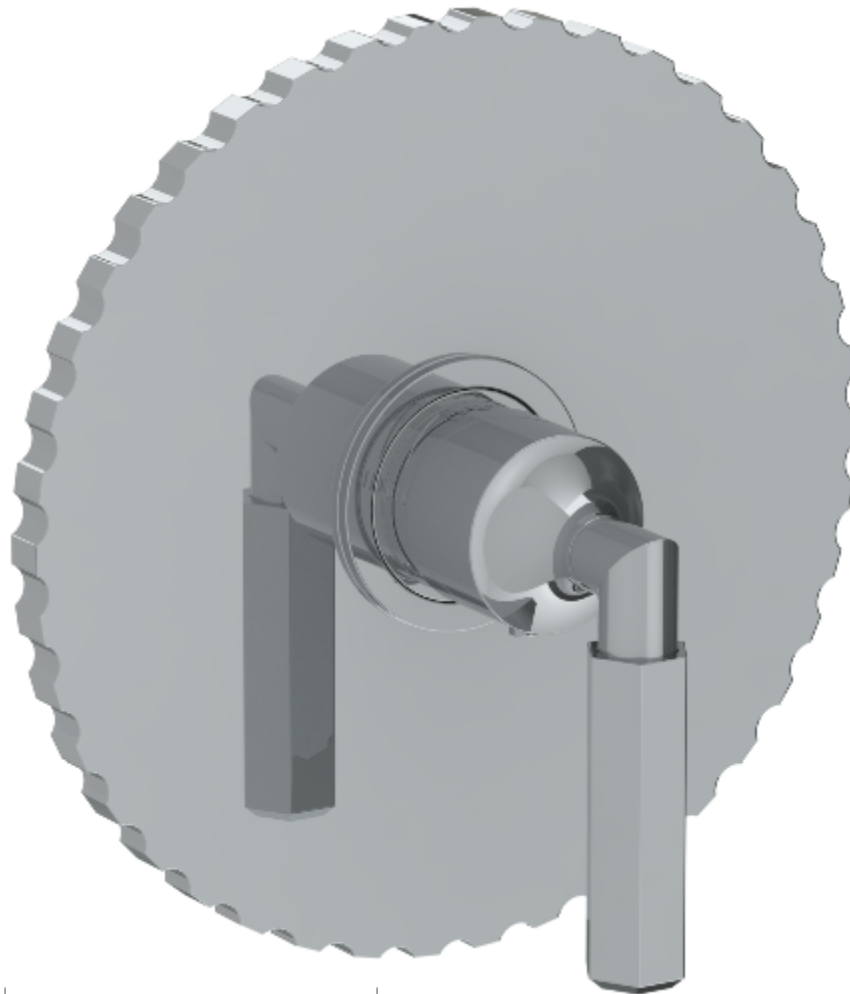


133-T10-JA4

Wall Mount Thermostatic Shower Trim

For use with SS-TH1000 or SS_TH3000 concealed rough



Meets the applicable requirements of ASME A12.18.1-2005/CSA B125.1-05, entitled "Plumbing Supply Fittings"