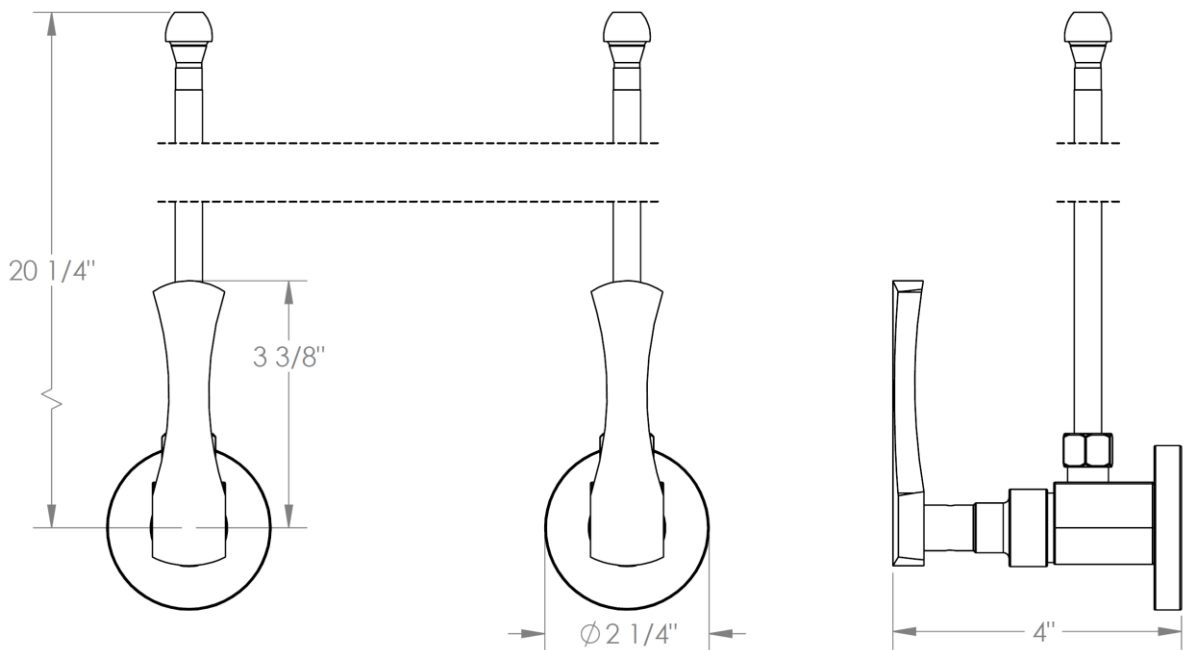


125-MAS2-BG4
Lavatory Angle Stop Kit
1/2" IPS x 3/8" OD Compression



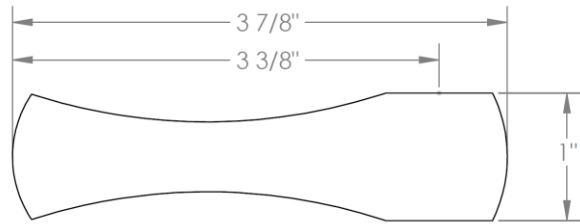
Meets the applicable requirements of ASME A112.18.1-2005/CSA B125.1-05, entitled "Plumbing Supply Fittings"

WATERMARK DESIGNS 10/18/2018

350 Dewitt Ave Brooklyn NY 11207 USA T 718 257 2800 F 718 257 2144 info@watermark-designs.com

Chelsea Handle Options

BG4 – JOYCE



BG5 – MARKET

