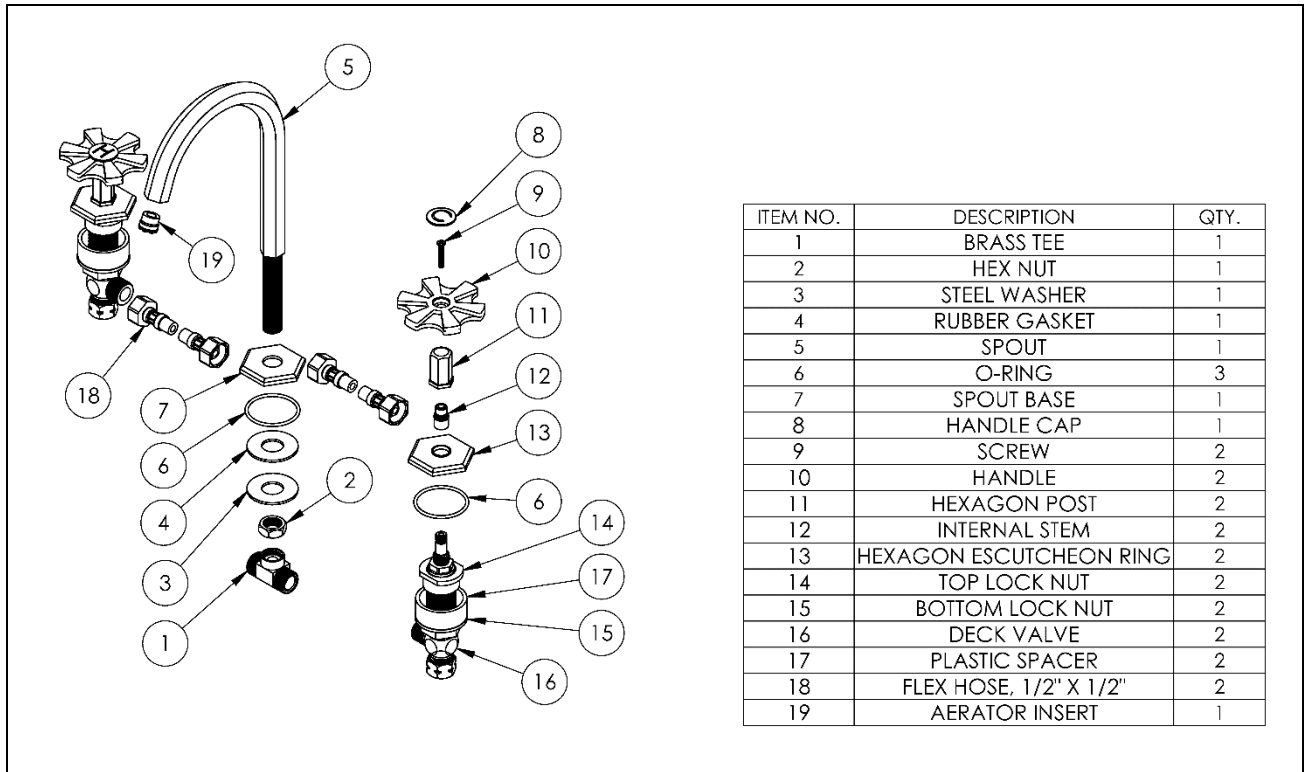
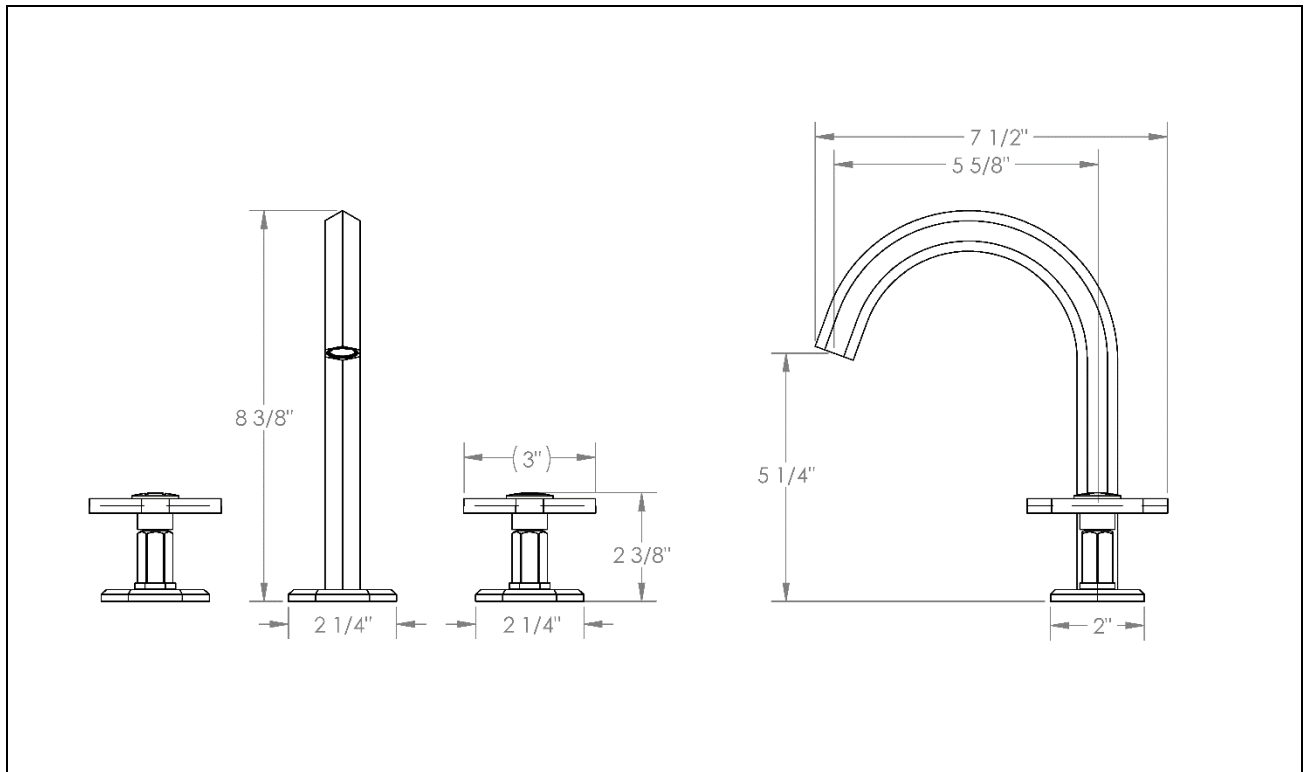


Exploded View



Dimensions



Installation Instructions

1. Holes in the counter should be $\varnothing 1\text{-}3/8''$ for the two handles and $\varnothing 3/4''$ to $1\text{-}3/8''$ for the spout assembly.
2. Unthread the **brass tee** (1), **hex nut** (2), **steel washer** (3), and **rubber gasket** from the threaded nipple on the **spout** (5) and place it through the counter. Make sure the **O-ring** (6) on the **spout base** (7) is properly compressed onto the counter. If desired, a bead of caulk or silicone may be applied for sealing.
The orientation of the spout base may be adjusted.
3. Disassemble the handles from the **deck valves** (16). Remove the **handle cap** (8) and **screw** (9) so that the **handle** (10) can be removed. Unthread the **hexagon post** (11), then slide off the internal stem (12), **hexagonal escutcheon ring** (13) and **O-ring** (6). Unthread the black **top plastic nut** (14). Leave the **bottom plastic nuts** (15) on the valves.
4. Secure the **deck valves** (16) to the counter by reassembling the **top plastic nuts** (14) onto the valves, sandwiching the counter with the two black plastic nuts. For thin counters, the provided **plastic spacer** (17) may be used.
Note the different hot and cold deck valves by the red/blue stickers near the bottom of the valves.
5. Reassemble the handles onto the valves. Ensure there is a small clearance between the **handle** (10) and the **hexagon post** (11) by raising the valve and retightening the black plastic nuts. If there is too much clearance, then the valve should be lowered.
6. Flush the supplies prior to plumbing to the bottom of the deck valves. Use either $\varnothing 3/8''$ risers with the provided compression nuts or with $3/8''$ compression to $1/2''$ IPS flexible hoses (not provided).
7. Connect the side outlets of the deck valves to the spout brass tee with the provided **1/2'' flex hoses** (18) Check for leaks.
8. Install the soft touch drain (not shown) per its instructions.
9. If flow is slow or clogged, the **aerator insert** (19) can be removed and rinsed with the provided key.

IMPORTANT INSTALLATION INFORMATION

- Do NOT use Plumber's Putty on any of the brass components.
This will cause the finish to tarnish and void the warranty. A non-corrosive alkoxy silicone is recommended.
- Refer to maintenance guide for finish care instructions.

For technical support, please call 718-257-2800