

# Schedule 40

## Innovator® 902 Half Kit

Same as the 901 Half Kit but without the testing features

**Sturdy 1.5" Schedule 40 PVC or ABS Solvent Weld Assembly**

### SPECIFICATIONS

#### FEATURES:

- Eliminates all screws
- Eliminates leaks due to loose overflow attachment
- Eliminates dual inventory of one- and two-hole overflow plates

#### PATENTS :

- <https://www.watcomfg.com/patents>

#### THREADS (Strainer Body and Drain Elbow):

- 1½" – 11½ NPSM (Coarse Thread)
- 1.865" Major Diameter (outside thread diameter)
- 11.5 threads per inch

**PIPING:**     PVC     ABS



No testing membrane.



Snap-on overflow plate.  
No screws.

**ROUGH-IN (RI's) and STOPPER/FACEPLATE (SF's)**

 <b>ADA</b>	PRESFLO® (PF) Foot Actuated (FA) only
--	--

See price list for complete item numbers and available options.


When ordering, please specify complete item number and any applicable option codes.

**WATCO**




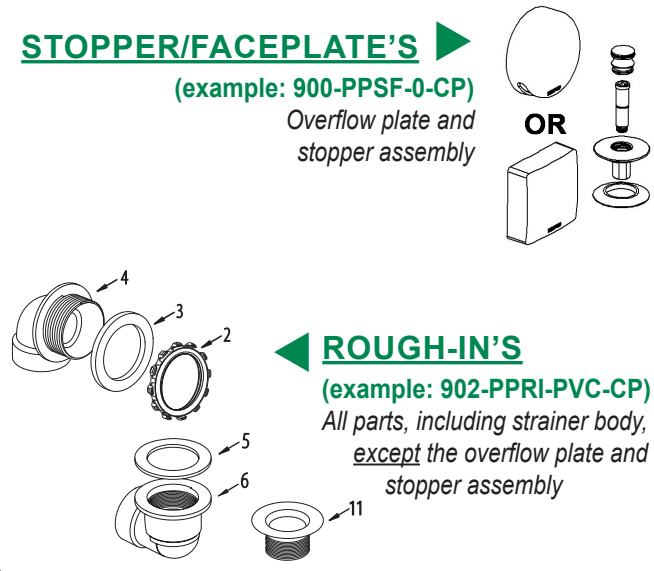
Always a step ahead

For More Information Contact:  
**WATCO Manufacturing Company**  
 1220 South Powell Road  
 Independence, MO 64057-2724  
 Ph. 816-796-3900 • FAX 816-796-0875  
[www.watcomfg.com](http://www.watcomfg.com)

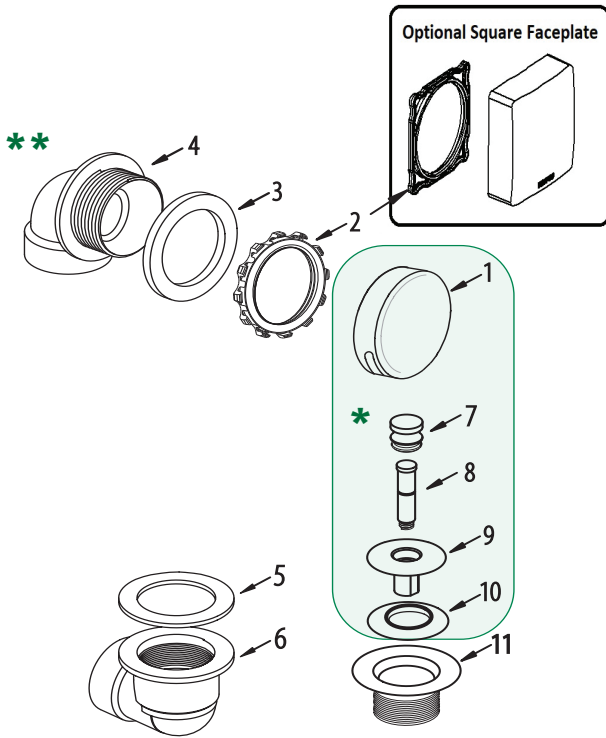
**STOPPER/FACEPLATE'S**   
 (example: 900-PPSF-0-CP)  
 Overflow plate and stopper assembly

**OR**

**ROUGH-IN'S**   
 (example: 902-PPRI-PVC-CP)  
 All parts, including strainer body, except the overflow plate and stopper assembly



# 902 Series Parts List (901 less testing)



Item	Part #	Description
1	01005CP	Overflow Plate for Innovator®
	01007CP	Square Face Plate for Innovator®
2	11121	ABS Star Retainer Nut for Innovator®
	11127	ABS Square Retainer Nut for Innovator®
3	10675	Overflow Ell Washer, Foam
4	11020	Innovator® Overflow Ell, Schedule 40, ABS
	14020	Innovator® Overflow Ell, Schedule 40, PVC
NO TESTING MEMBRANE ON OVERFLOW ELBOW		
5	10696	Drain Ell Washer, 1.5" gray
6	11008	Drain Ell, Schedule 40, ABS
	14008	Drain Ell, Schedule 40, PVC
7	01010_*	PUSH PULL® Knob, Brass
8	11584	3/8" Pin (11508) and Friction Ring (11504)
9	01013_*	Stopper, Brass
10	11507	Seal, 1-1/16" dia.
11	01016_*	Strainer Body, Brass, 1.865" - 11.5 - 1.25"
NO TEST PLUG INCLUDED		

\*Please indicate finish desired.

\* SF: (example: 900-PPSF) Parts #1 and #7 thru #10

\*\* RI: (example: 902-PPRI) Parts #2 thru #6 and #11

## OPTIONAL TUB CLOSURES FOR 902-SERIES BATH WASTES (PUSH PULL® ALSO SHOWN ABOVE)

900/01 PUSH PULL® Coarse Thread
1. 01010CP
01010_*
2. 11584
3. 01013CP
01013_*
4. 11507
5. 01016CP

LIFT & TURN Coarse Thread
1. 01010CP
01010_*
2. 11079
3. 11088
4. 11290CP
01013_*
5. 11507
6. 11492CP
01016_*

PRESFLO® Coarse Thread
1. 11145CP
11145_*
2. 11132
3. 11060CP
11060_*
4. 96039: Suction Cup for removing stopper

FOOT ACTUATED Coarse Thread
1. 38412-CP
38412_*
2. 11492-CP
01016_*

\*If finish other than Chrome is desired, please use this part number and indicate desired finish.

## Finishes Available in the 902 Series:

Tub Closure:	PUSH PULL®	LIFT & TURN	PRESFLO®	FOOT ACT.
AP - Aged Pewter	•	•	•	
BB - Brushed Bronze	•	•	•	•
BN - Brushed Nickel	•	•	•	•
BO - Bone	•	•		
BS - Biscuit	•	•		
BZ - Oil-Rubbed Bronze	•	•	•	•
CB - Chrome Brushed	•	•	•	•
CP - Chrome Plated	•	•	•	•
NP - Nickel Polished	•	•	•	•
PB - Polished Brass	•	•	•	•
WH - White	•	•		•