



T&S BRASS AND BRONZE WORKS, INC.

2 Saddleback Cove / P.O. Box 1088
Travelers Rest, SC 29690

Model No.

EC-SMT

Item No.

Travelers Rest, SC: 800-476-4103 • Simi Valley, CA: 800-423-0150 • Fax: 864-834-3518 • www.tsbrass.com

This Space for Architect/Engineer Approval

Job Name _____ Date _____

Model Specified _____ Quantity _____

Customer/Wholesaler _____

Contractor _____

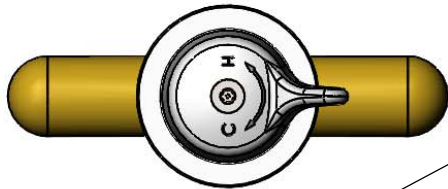
Architect/Engineer _____

Performance Rating

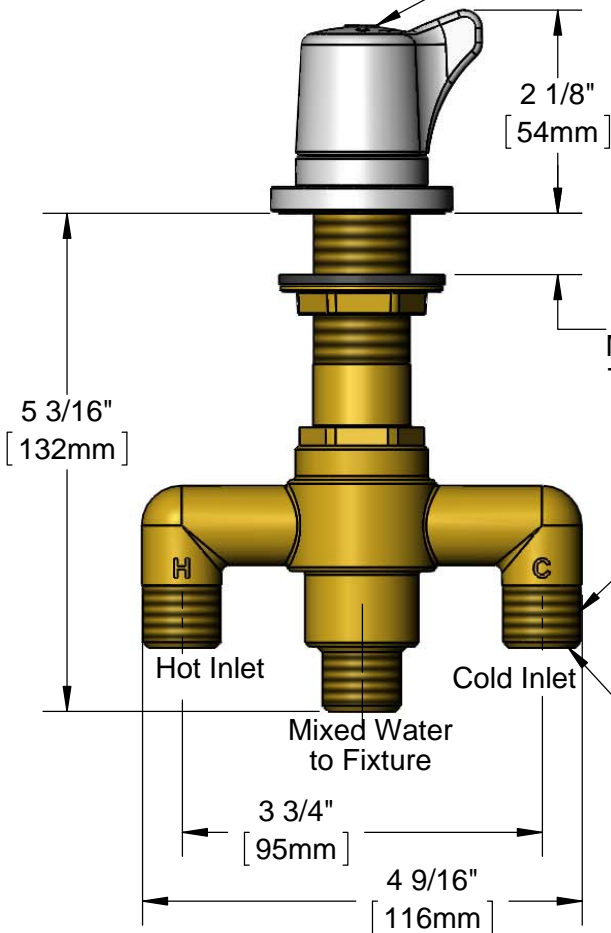
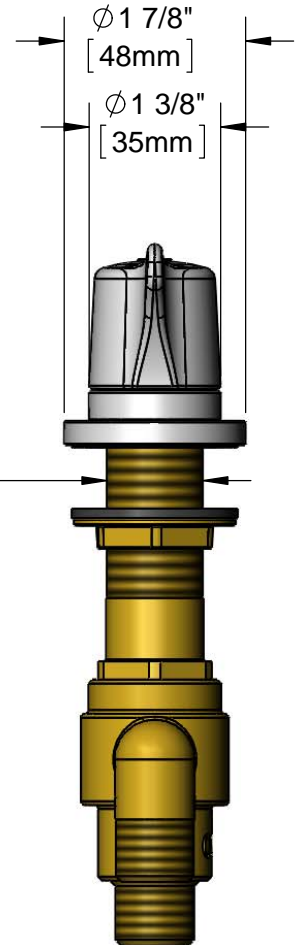
Minimum Flow Rate: 0.5 GPM
Pressure Drop at Minimum Flow Rate: 0.5 psi
Maximum Pressure: 125 psi
Hot Water Inlet Temperature Range: 120~180°F (49~82°C)
Outlet Temperature Range: 80~120°F (27~49°C)
Outlet Temperature Factory Setting: Approx. 100°F (38°C)



ADA Compliant



Locking Adjustment Knob
Prevents Water from Exceeding
Customer's Maximum
Temperature Set Point.
Vandal Resistant Handle Screw.
L-Key for Vandal Resistant Screw
(Included)



1 3/16"
[30mm]
Maximum
Thickness

1/2" NPSM Male
(3 Places)

Integral Check Valves
Built into Hot and Cold Inlets.
Check Valve Filter Screens
(Included)

Rough-In Requirement:
Ø 1 1/4" [32mm] Mounting Hole

Product Specifications:
Above Deck Thermostatic Mixing Valve with 1/2" NPSM Male Fittings

Product Compliance:
ASME A112.18.1 / CSA B125.1
NSF 61 - Section 9
NSF 372 (Low Lead Content)
ANSI A117.1 (ADA)
ASSE 1070 (TMV)



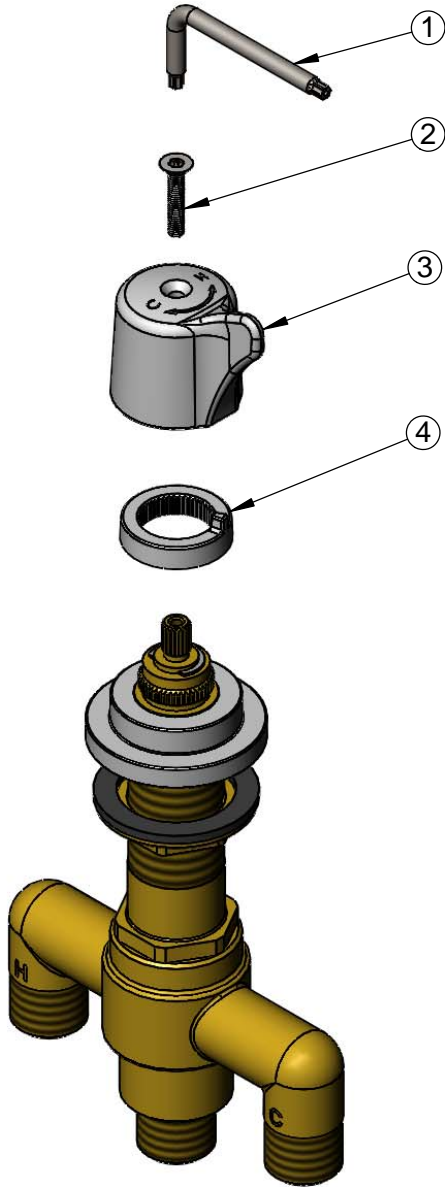
T&S BRASS AND BRONZE WORKS, INC.
 2 Saddleback Cove / P.O. Box 1088
 Travelers Rest, SC 29690

Model No.
EC-SMT

Item No.

Travelers Rest, SC: 800-476-4103 • Simi Valley, CA: 800-423-0150 • Fax: 864-834-3518 • www.tsbrass.com

ITEM NO.	SALES NO.	DESCRIPTION
1	018543-45	Torx T-20 VR L-Key
2	018541-45	M4 x 23mm, Stainless Steel, Torx VR FH Screw
3	018249-45	Above Deck TMV, Handle
4	018248-45	Temperature Limit Stop (TMV)



Product Specifications:
 Above Deck Thermostatic Mixing Valve with 1/2" NPSM Male Fittings

Product Compliance:
 ASME A112.18.1 / CSA B125.1
 NSF 61 - Section 9
 NSF 372 (Low Lead Content)
 ANSI A117.1 (ADA)
 ASSE 1070 (TMV)