



T&S BRASS AND BRONZE WORKS, INC.

2 Saddleback Cove / P.O. Box 1088
Travelers Rest, SC 29690

Model No.
EC-3100-7XF1THG

Item No.

Travelers Rest, SC: 800-476-4103 • Simi Valley, CA: 800-423-0150 • Fax: 864-834-3518 • www.tsbrass.com



ADA Compliant



This Space for Architect/Engineer Approval

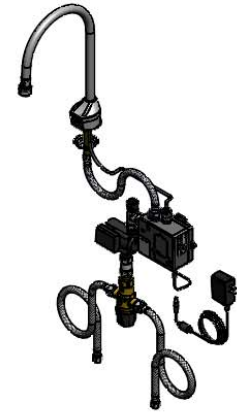
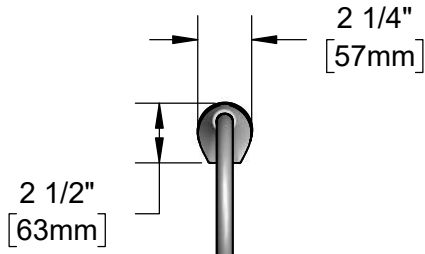
Job Name _____ Date _____

Model Specified _____ Quantity _____

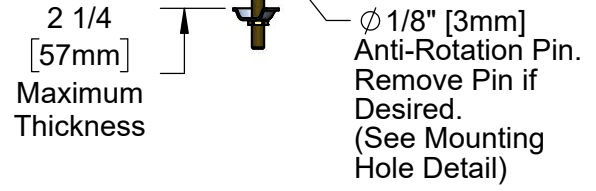
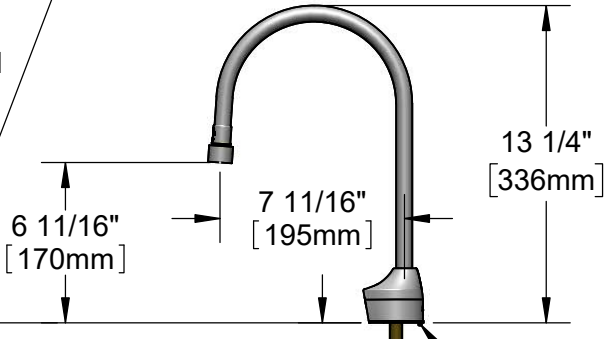
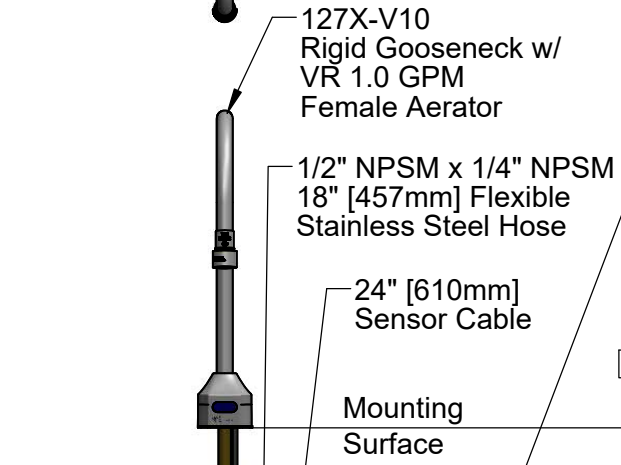
Customer/Wholesaler _____

Contractor _____

Architect/Engineer _____



3 5/8" x 4 3/16" x 2" Deep
[92mm x 106mm x 51mm]
Water Resistant Control Module Box (Grey)
w/ Internal Flow Control Setting Switches
AC or DC Operated w/ (4) AA Batteries
Hardwire Capable Using Terminals on Back



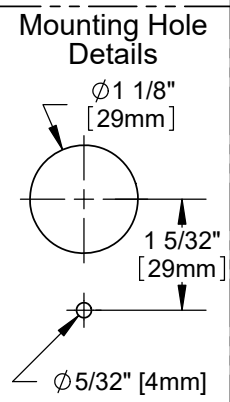
Removable Strainer

EC-HYDROGEN Hydro-Generator Power Supply. No AA Batteries or AC Adapter Needed to Supply Power to Faucet

EC-TMV Thermostatic Temperature Mixing Valve w/ Check Valves

Optional 100-240 VAC Adapter w/ 71" [1800mm] Power Cord. (Included) (Remove Rubber Plugs on Module and Cable to Connect)

(2) 3/8" Compression x 1/2" NPSM 18" [457mm] Flexible Stainless Steel Supply Hose



Product Specifications:
Chrome Plated Brass Electronic Faucet: Deck Mount, Rigid Gooseneck w/ VR 1.0 GPM Aerator, AC/DC Control Module w/ Internal Flow Control Setting Switches, Thermostatic Temperature Control Mixing Valve w/ Integral Check Valves, Hydro-Generator & 18" Flexible Stainless Steel Supply Hoses

Product Compliance:
ASME A112.18.1 / CSA B125.1
NSF 61 - Section 9
NSF 372 (Low Lead Content)
ANSI A117.1 (ADA)
UL 1951
ASSE 1070 (TMV)



T&S BRASS AND BRONZE WORKS, INC.

2 Saddleback Cove / P.O. Box 1088
Travelers Rest, SC 29690

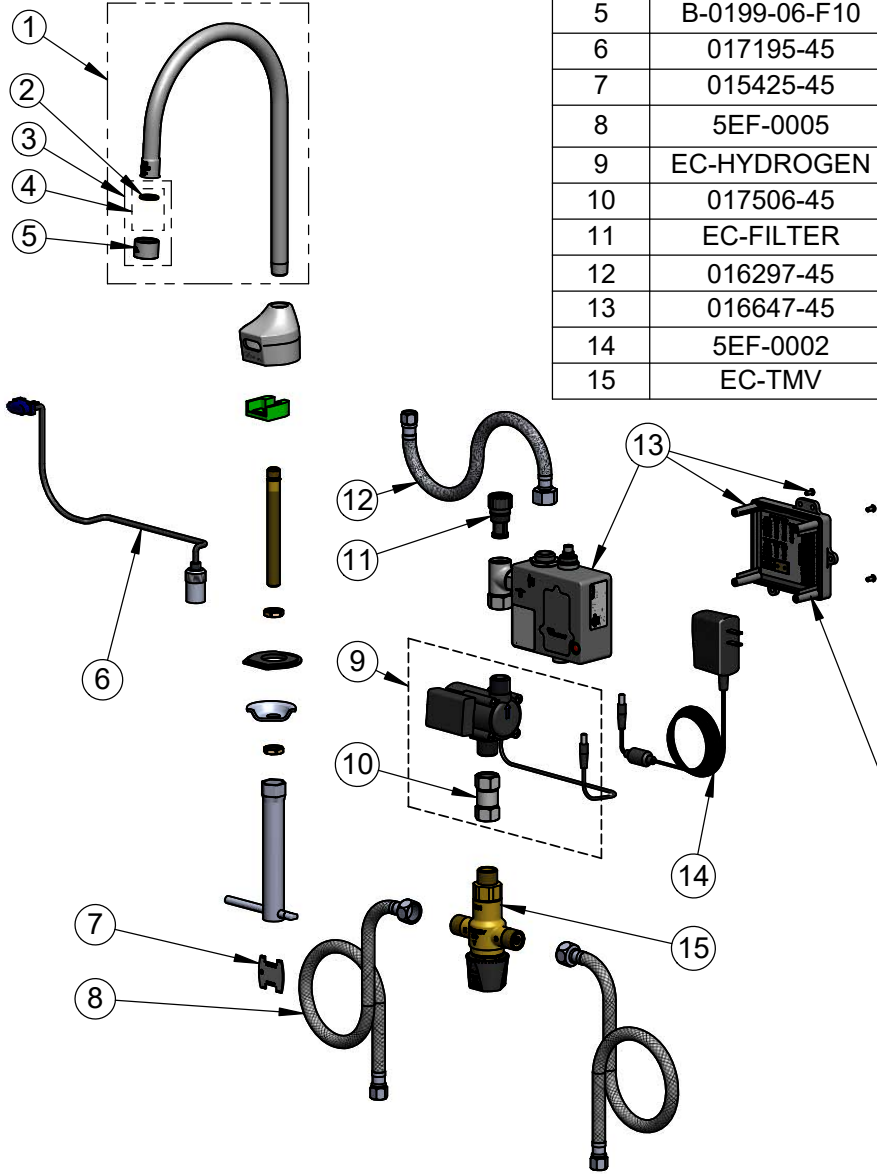
Model No.

EC-3100-7XF1THG

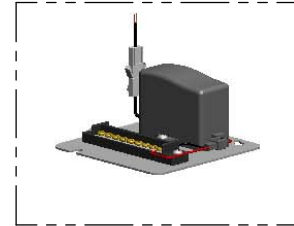
Item No.

Travelers Rest, SC: 800-476-4103 • Simi Valley, CA: 800-423-0150 • Fax: 864-834-3518 • www.tsbrass.com

| ITEM NO. | SALES NO. | DESCRIPTION |
|----------|---------------|---|
| 1 | 127X-V10 | Rigid Gooseneck w/ VR 1.0 GPM Aerator |
| 2 | 001043-45 | Washer |
| 3 | B-0199-07-F10 | VR 1.0 GPM Aerator, 3/8" NPSM Male w/ Key |
| 4 | 044A | 3/8" to Aerator Adapter |
| 5 | B-0199-06-F10 | VR 1.0 GPM Aerator, 55/64-27 UN Female w/ Key |
| 6 | 017195-45 | Angled Sensor w/ Cable |
| 7 | 015425-45 | Vandal Resistant Key |
| 8 | 5EF-0005 | Supply Hose, 9/16-24 Female x 1/2" NPSM |
| 9 | EC-HYDROGEN | HydroGenerator Power Supply |
| 10 | 017506-45 | 1/2" NPSM Swivel Coupling |
| 11 | EC-FILTER | Replacement Filter |
| 12 | 016297-45 | Inlet Hose, Faucet, 1/2" NPSM-F x 1/4" NPSM-F |
| 13 | 016647-45 | ChekPoint Electronic Module (Grey) |
| 14 | 5EF-0002 | A/C Transformer |
| 15 | EC-TMV | Thermostatic Mixing Valve |



A Maximum of (8) ChekPoint Faucets can be Hardwire Connected and Powered by EC-HARDWIRE ChekPoint Hardwire AC Transformer. (Sold Separately)



Label for Flow Control Switch Settings is Located on Inside of Back Cover.

Flow Control Switches are Located Inside Module Housing in Black Box Next to Battery Compartment.

- *Switches are Set to DEFAULT Position:
- Auto Time Out = 15 Seconds
 - Shut Off Delay = 1 Second
 - Auto Flush = OFF

Remove (4) Screws and Back Cover to Access Switches.

***Available Water Flow Control Selections:**

- Auto Time Out: 15 sec, 30 sec, 45 sec, 60 sec, 3 min, 20 min
- Shut Off Delay: 1 sec, 10 sec, 15 sec, 30 sec
- Auto Flush (30 Seconds After Every 12 Inactive Hours): ON or OFF

Product Specifications:

Chrome Plated Brass Electronic Faucet: Deck Mount, Rigid Gooseneck w/ VR 1.0 GPM Aerator, AC/DC Control Module w/ Internal Flow Control Setting Switches, Thermostatic Temperature Control Mixing Valve w/ Integral Check Valves, Hydro-Generator & 18" Flexible Stainless Steel Supply Hoses

Product Compliance:

ASME A112.18.1 / CSA B125.1
NSF 61 - Section 9
NSF 372 (Low Lead Content)
ANSI A117.1 (ADA)
UL 1951
ASSE 1070 (TMV)