



**T&S BRASS AND BRONZE WORKS, INC.**  
 2 Saddleback Cove / P.O. Box 1088  
 Travelers Rest, SC 29690

Model No.  
**BL-4500-02**

Item No.

Travelers Rest, SC: 800-476-4103 • Simi Valley, CA: 800-423-0150 • Fax: 864-834-3518 • www.tsbrass.com



**ADA Compliant**

This Space for Architect/Engineer Approval

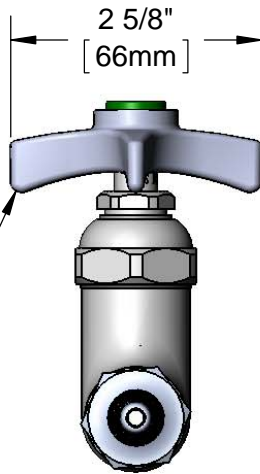
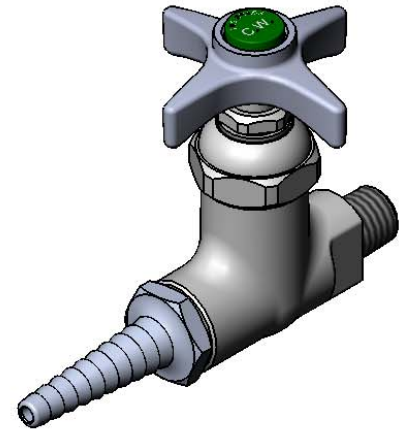
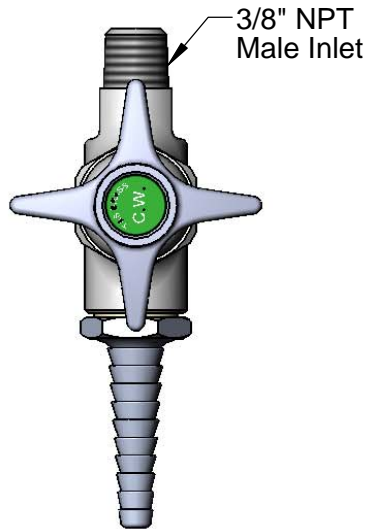
Job Name \_\_\_\_\_ Date \_\_\_\_\_

Model Specified \_\_\_\_\_ Quantity \_\_\_\_\_

Customer/Wholesaler \_\_\_\_\_

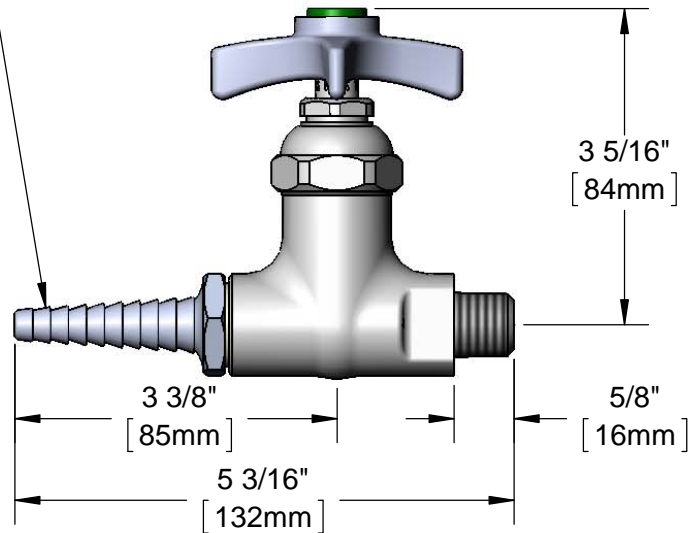
Contractor \_\_\_\_\_

Architect/Engineer \_\_\_\_\_



Eterna Cartridge & 4-Arm Handle w/ Snap-In Green "CW" Index

Serrated Tip Accepts 1/4" to 3/8" ID Hoses



Product Specifications:  
 Laboratory Straight Stop, Eterna Cartridge, 4-Arm Handle, Serrated Tip & 3/8" NPT Male Inlet

Product Compliance:  
 ASME A112.18.1 / CSA B125.1  
 NSF 61 Exempt (Non-Potable)  
 ANSI A117.1 (ADA)

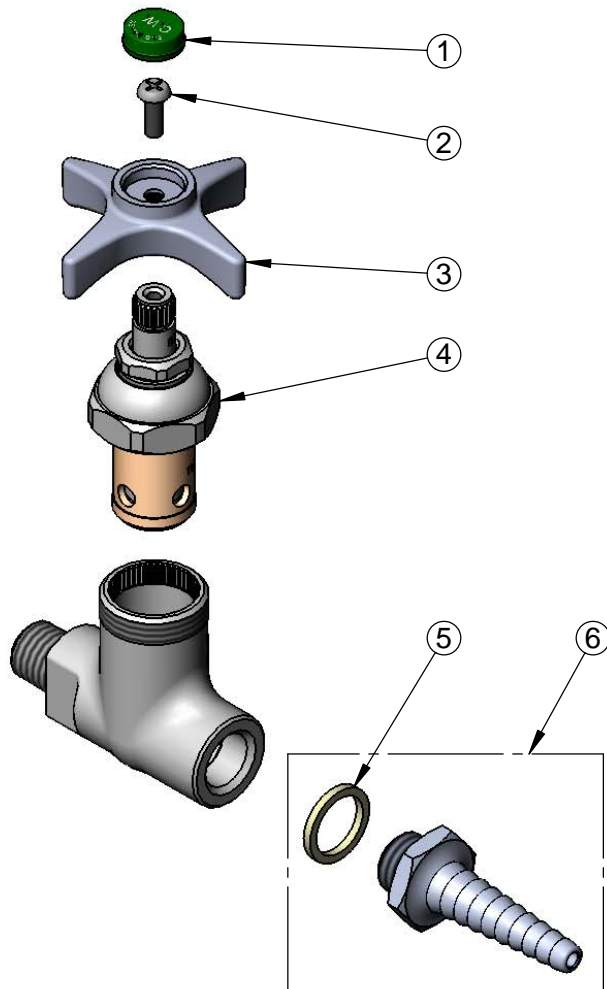


**T&S BRASS AND BRONZE WORKS, INC.**  
 2 Saddleback Cove / P.O. Box 1088  
 Travelers Rest, SC 29690

Model No.  
**BL-4500-02**  
 Item No.

Travelers Rest, SC: 800-476-4103 • Simi Valley, CA: 800-423-0150 • Fax: 864-834-3518 • www.tsbrass.com

ITEM NO.	SALES NO.	DESCRIPTION
1	001191-45	Green Index - CW
2	000925-45	Lab Handle Screw
3	000059-40	4-Arm Lab Handle
4	005960-40	Eterna Cartridge, RTC
5	001051-45	Washer
6	B-0198	Serrated Tip w/ Washer



Product Specifications:  
 Laboratory Straight Stop, Eterna Cartridge, 4-Arm Handle, Serrated Tip  
 & 3/8" NPT Male Inlet

Product Compliance:  
 ASME A112.18.1 / CSA B125.1  
 NSF 61 Exempt (Non-Potable)  
 ANSI A117.1 (ADA)