



T&S BRASS AND BRONZE WORKS, INC.
 2 Saddleback Cove / P.O. Box 1088
 Travelers Rest, SC 29690

Model No.
B-2464

Item No.

Travelers Rest, SC: 800-476-4103 • Simi Valley, CA: 800-423-0150 • Fax: 864-834-3518 • www.tsbrass.com

This Space for Architect/Engineer Approval

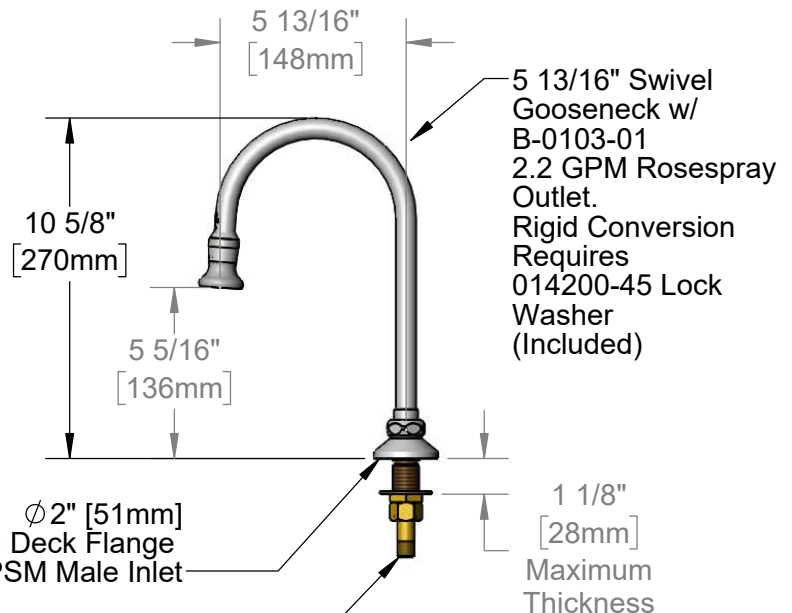
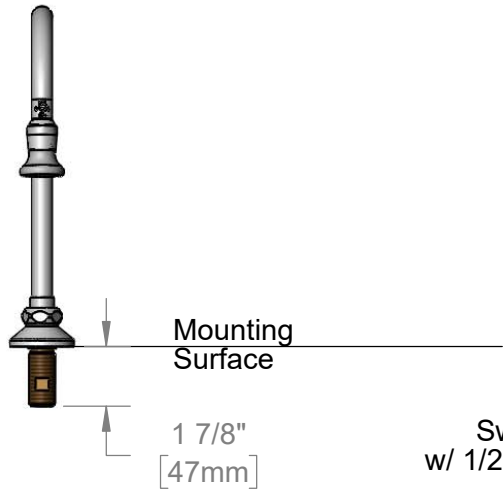
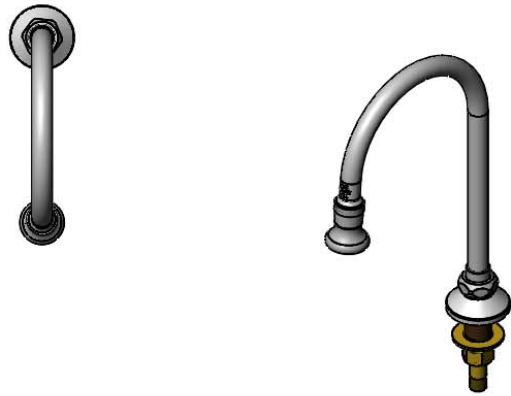
Job Name _____ Date _____

Model Specified _____ Quantity _____

Customer/Wholesaler _____

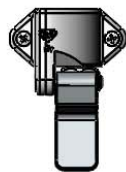
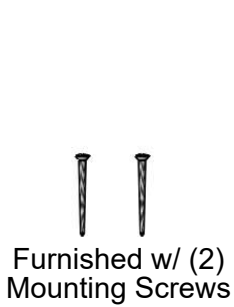
Contractor _____

Architect/Engineer _____

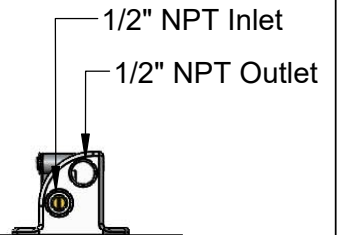
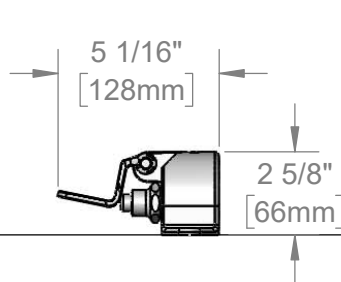


Rough-In Requirement:
 Ø1" [25mm] Mounting Hole

150A Optional Tailpiece & Nut For 1/4" NPT Connection (Included)



Mounting Surface



Product Specifications:
 5 9/16" Dummy Gooseneck w/ Deck Mount Flange, Rosespray Outlet & Single Foot Pedal Valve w/ Fast Self-Closing Cartridge

Product Compliance:
 ASME A112.18.1 / CSA B125.1
 NSF 61 - Section 9
 NSF 372 (Low Lead Content)



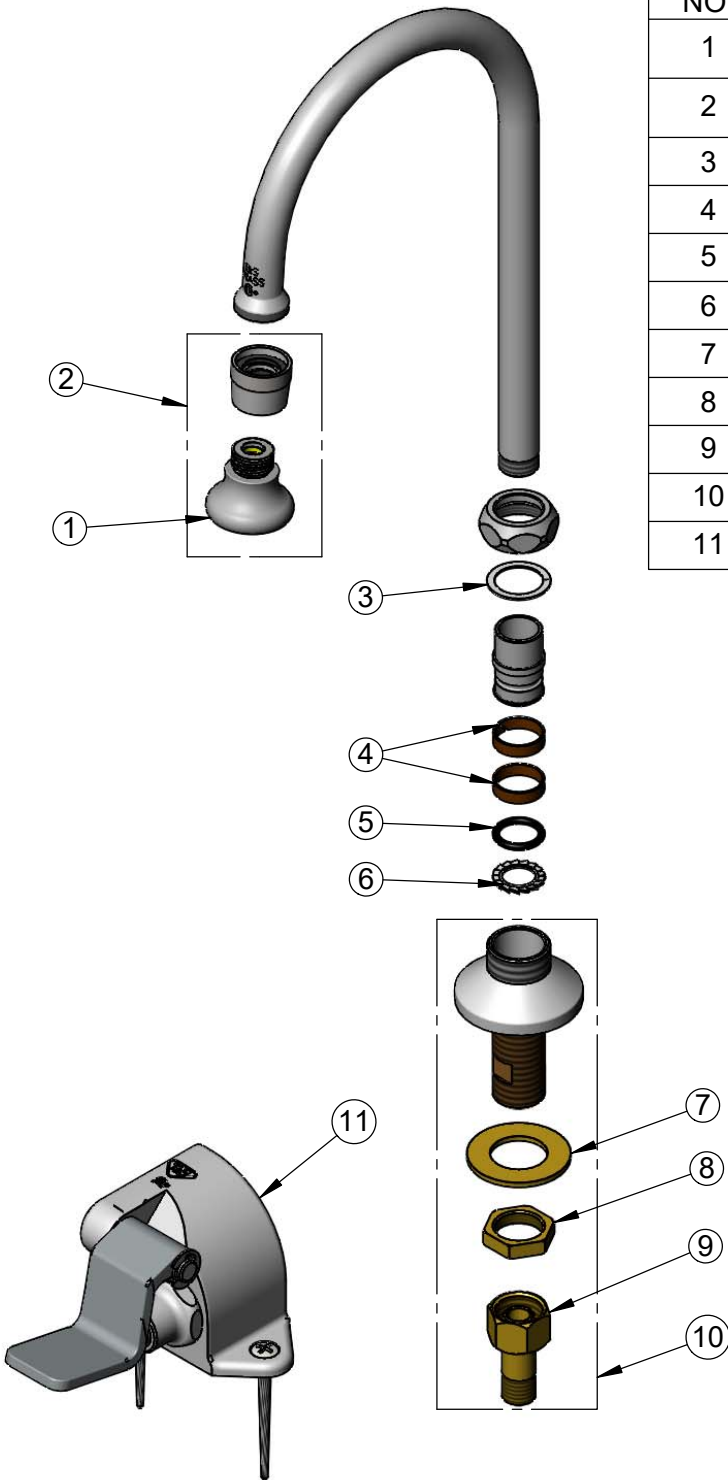
T&S BRASS AND BRONZE WORKS, INC.
 2 Saddleback Cove / P.O. Box 1088
 Travelers Rest, SC 29690

Model No.
B-2464

Item No.

Travelers Rest, SC: 800-476-4103 • Simi Valley, CA: 800-423-0150 • Fax: 864-834-3518 • www.tsbrass.com

ITEM NO.	SALES NO.	DESCRIPTION
1	B-0103	2.2 GPM Rosespray Outlet, 55/64-27 UN Female
2	B-0103-01	2.2 GPM Rosespray Outlet, 3/8-18 NPT Male
3	009538-45	Swivel Washer
4	011429-45	Swivel Sleeves (2)
5	001074-45	O-Ring
6	014200-45	Star Washer, Anti-Rotation
7	000999-45	Brass Lock Washer
8	002954-45	Shank Lock Nut
9	150A	1/4" NPT Tailpiece & Nut
10	B-0431	Swivel Base Deck Mount Flange
11	B-0507	Single Pedal Valve



Product Specifications:
 5 9/16" Dummy Gooseneck w/ Deck Mount Flange, Rosespray Outlet & Single Foot Pedal Valve w/ Fast Self-Closing Cartridge

Product Compliance:
 ASME A112.18.1 / CSA B125.1
 NSF 61 - Section 9
 NSF 372 (Low Lead Content)