



Architect/Engineering Specifications:

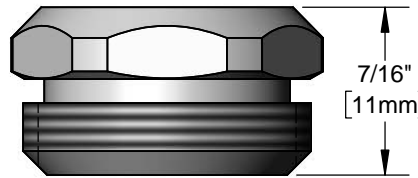
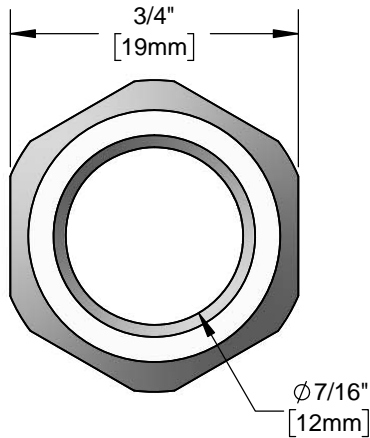
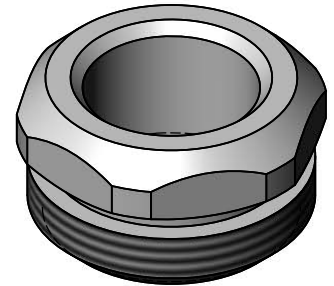
Rough chrome plated hex nut, 3/4-16 male thread.

Job Name _____

Model Specified _____ Quantity _____

Variations Specified _____

Date _____



Features & Benefits:

- Hex nut
- 3/4-16 male thread
- Material: Rough chrome plated brass

Product Compliance:

- N/A

Warranty: One Year (Limited)

Performance Data:

- N/A

