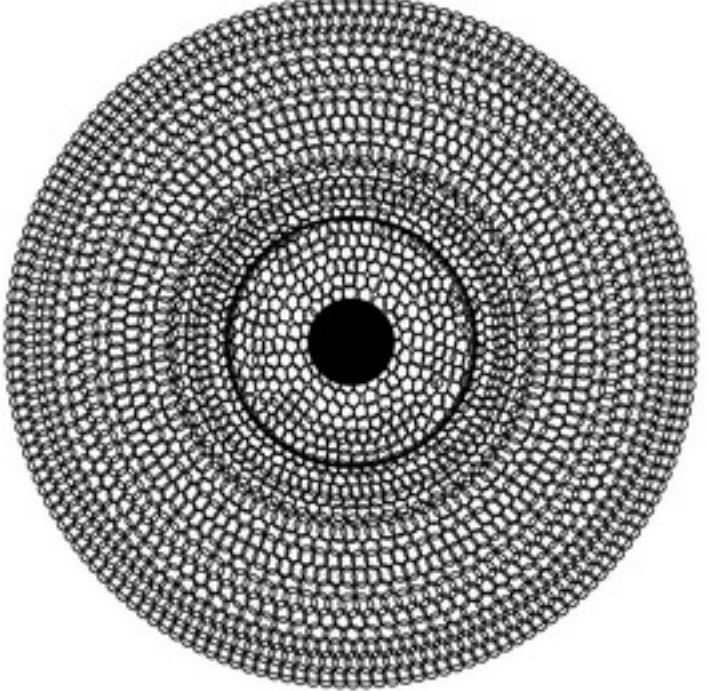



INSTALLATION INSTRUCTIONS

ITEM NO. : F6772

PARTS ENCLOSED

NO.	DESCRIPTION	DIAGRAM	QTY.
A	METAL FRAME		1 Pc
B	CANOPY & WIRE		1 Set

IMPORTANT SAFETY INSTRUCTIONS

1. Use an authorised and certified electrician for consultation and installation.
2. This fixture has been rated for 40 watt maximum E27 edison bulb.
3. To avoid the risk of fire do not exceed the recommended wattage.
4. The manufacturer and distributor accepts no liability for incorrect installation.
5. For indoor use only.

WARNINGS

1. Turn off electricity supply at main circuit panel before installing and not connect electricity until the fixture is fully assembled and installed.
2. All wires are connected. Do not remove the light from its packaging by pulling on the power cord as a bad connection may result.
3. To reduce the risk of fire, electric shock, or personal injury, always turn off the light and allow to cool prior to replacing the bulb. Do not touch the bulb when fixture is turned on or look directly at the light bulb. Keep flammable materials away from the light bulb.
4. Deviation from instructions may result in a risk of fire or electric shock.

PRODUCT DESCRIPTION

General Material : IRON
Height : 500 mm
Diameter : 440 mm

Grounded / Hardwired

TO ASSEMBLE

1. Carefully remove all parts from the box and remove all plastic covering.
2. Turn OFF power to the junction box where the light will be installed.
3. Connect the metal frame with the hanging chain (step no. 1)
4. Fix the hanging board onto the ceiling and connect the wires (Step no. 2)
5. Fix the canopy on the ceiling (Step no. 3)
6. Install the Bulbs. (Step no. 4)

CARE INSTRUCTIONS

1. Make sure that the power is turned off and bulb has cooled before handling.
2. Wipe clean with a dry cloth mild soapy solution. Do not use corrosive cleaners.
3. The cable/cord of the light cannot be replaced. If the cable is damaged, do not use the light.

ENVIRONMENT

Special waste handling may be required.
Please contact your local authorities for more information.

