

TOTO®

MW6042044CEFG

UltraMax® II / WASHLET®+ C200 One-Piece Toilet - 1.28 GPF

FEATURES

- Concealed supply connection for seamless installation
- High efficiency Tornado Flush® (1.28GPF/4.8LPF)
- CeFiONtect® glaze prevents debris from sticking to ceramic surfaces for easy cleaning
- Universal Height
- Elongated front bowl
- Decorative one-piece design with high-profile tank
- Chrome trip lever
- 12" Rough-in, less supply
- See Spec sheet SW2044T20 for Washlet features

MODELS

- CST604CEFGT20
With CeFiONtect glaze

REQUIRED WASHLET+

- SW2044T20 WASHLET®+ C200
Fits TOTO WASHLET+ toilet bowl models only

COLORS/FINISHES

- Standard
#01 Cotton

PRODUCT SPECIFICATION

The one-piece high efficiency Tornado Flush toilet shall be 1.28GPF/4.8LPF. Universal Height Toilet with CeFiONtect glaze finish. Toilet shall have high-profile tank, elongated front bowl and chrome trip lever. Toilet shall be **TOTO Model CST604CEFGT20#01**.

See TOTO Specification sheet **SW2044T20** for details on required Washlet.



 **CeFiONtect** **washLET+**
 **Tornado Flush**

CODES/STANDARDS

- Meets and exceeds ASME A112.19.2/CSA B45.1
- Certifications: IAPMO(cUPC), EPA WaterSense, State of Massachusetts, City of Los Angeles, and others
- Code compliance: UPC, IPC, NSPC, NPC Canada, and others
- Legislative Compliance: California AB715, California Green Building Code, City of Los Angeles Water Efficiency Ordinance
- ADA compliant (when installed with trip lever located on the approach side)



MW6042044CEFG

UltraMax® II / WASHLET®+ C200 One-Piece Toilet - 1.28 GPF

SPECIFICATIONS

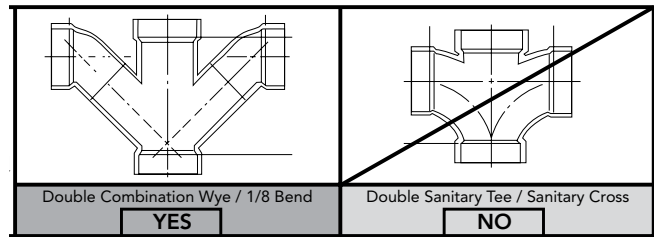
- Water Use 1.28 GPF/4.8LPF
- Flush System Tornado Flush®
- Min. Water Pressure 8 psi (static)
- Water Surface 7-1/8" x 9-1/8"
- Trap Diameter 2-1/8"
- Rough-in 12"
- Trap Seal 2-1/8"
- Warranty One Year Limited Warranty
- Material Vitreous china
- Shipping Weight CST604CEFGT20 99lbs.
SW2044T20 16.0lbs.
- Shipping Dimensions CST604CEFGT20
32" L x 20" W x 17-3/4" H¹ x
28-3/4" H²
SW2044T20
23 1/2" X 19" X 9"

- See Spec sheet **SW2044T20** for Washlet details

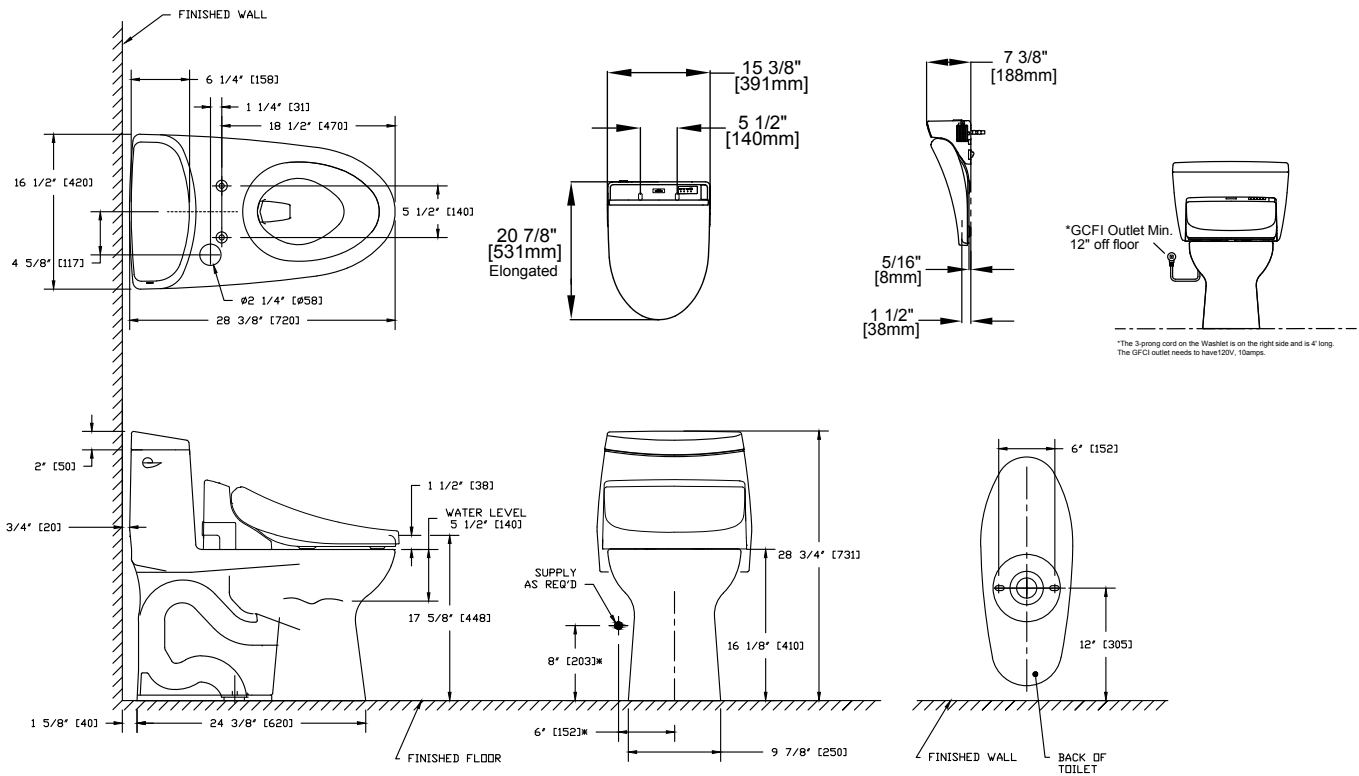
INSTALLATION NOTES

Back-to-Back Toilet Installations:

TOTO recommends the use of a nationally listed, double sanitary tee-wye only, in vertical waste stacks, in accordance with the stipulations noted in the majority of nationally recognized plumbing codes.



To maintain adequate wall gap between the back of the tank and wall, mount the floor flange at a nominal 12" rough-in distance.



*SUGGESTED DIMENSIONS

RD-XXXX, MW6042044CEFG, V.01

TOTO

These dimensions and specifications are subject to change without notice