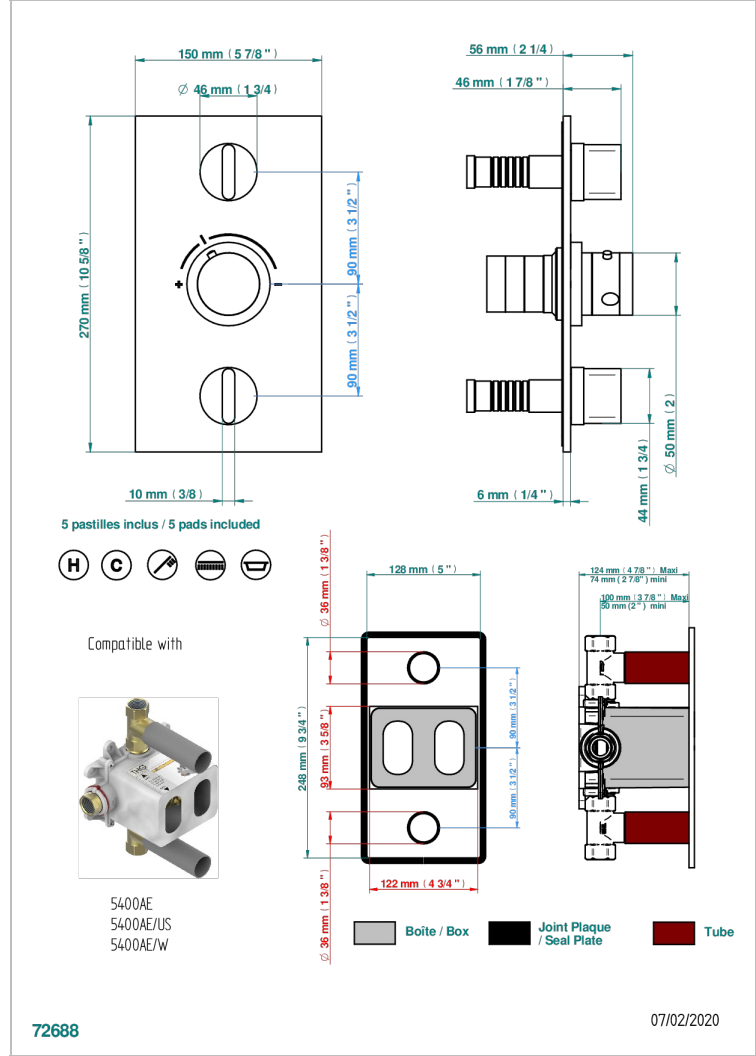
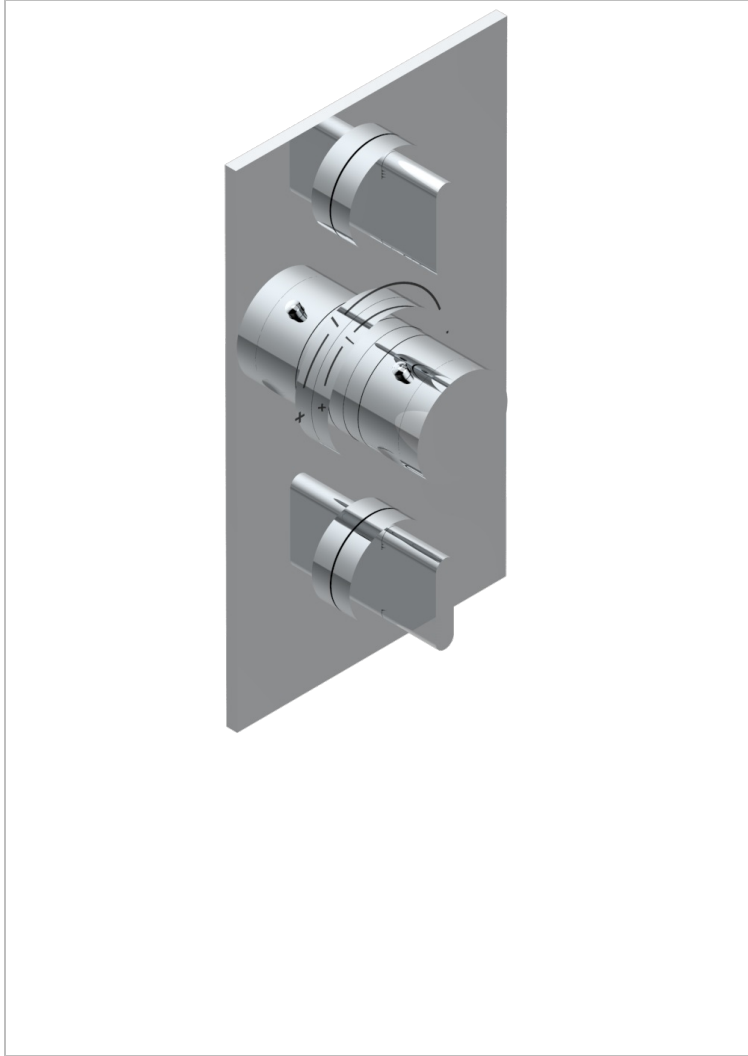


ICON-X

U7G-5400BE

Trim for THG thermostat 2 volume controls, rough part supplied with fixing box ref. 5 400AE/US



CHARACTERISTIC

- ASME : ASME A112.18.1-2011/CSA B125.1-11
- DVGW : DW-6512CQ0608

STANDARDS



RELATED SKU'S

- Ref. G00-5400AE/US 3/4" THG thermostat with wax cartridge, with two valves delivered with a built-in box, no trim
- Ref. G00-5100G Reinforced stop ring for THG thermostatic with fixing set

AVAILABLE FINITIONS

- | | | | |
|------------------------------|-----------------------------------|------------------------------------|------------------------|
| Blush PVD - H62 | Gold polished - F01 | Matt chrome (American satin) - C02 | Nickel color PVD - H55 |
| Brass color PVD - H49 | Graphite PVD - H64 | Matt gold color PVD - H53 | Nickel polished - B01 |
| Brown bronze color PVD - F33 | Matt Umber PVD - H67 | Matt graphite PVD - H65 | Soft gold - F30 |
| Chrome polished - A02 | Matt blush PVD - H60 | Matt nickel (American satin) - C01 | Soft matt gold - F31 |
| Gold color PVD - H52 | Matt brass color PVD - H50 | Matt nickel color PVD - H56 | Umber PVD - H66 |
| Gold mat - F07 | Matt brown bronze color PVD - F34 | Nickel antique / Sovereign - H28 | |