

IWS 30S + DryDock. 12 in stock

SPECIFICATIONS

IWS-30-S-DD-12-S-WA



American Black Walnut

IWS-30-S-DD-12-S-GT



Graphite Wood Composite

IWS-30-S-DD-12-S-BA



Natural Golden Bamboo

IWS-30-S-DD-12-S-GR



Exclusive Gray Resin*

IWS-30-S-DD-12-S-WH



Designer White Resin*

Culinary Tools included (CKT-12)



(1) Upper Deck Section†
12" x 19"
UD-12-I-xx



(1) Upper Tier Drying Rack
12 1/4" x 18"
DR-12-U-xx



(1) Upper Tier Cutting Board
12 1/4" x 18"
CB-12-U-xx



(2) Lower Tier Platforms
12 1/4" x 17"
P1-12-L-xx



(1) SS Colander
11" 7.2-qt
C1-11-0-ST

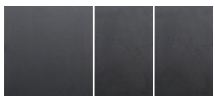


(1) SS Mixing Bowl
11" 7.2-qt
B1-11-0-ST

† The Upper Deck requires a 1/4" clearance below the surface of the countertop. If the countertop thickness is 3/4" or less, Walnut or Bamboo Upper Deck sections will not have the clearance to function above the Upper Tier Culinary Tools.

Upper Deck.

Cover set UD-30-12-3P-WA/GT/BA/GR/WH Walnut, Graphite, Bamboo, Gray or White Resin



18" 12" 12"



(1) 12"
Included in CKT

Sections Walnut, Graphite, Bamboo, Gray or White Resin



UD-18-I



UD-12-I



UD-09-I



UD-06-I

Specifications

Single bowl
Users: 1
Culinary Tools included: Five
DryDock Tool included: One
Galley BarTap, recommended: One
Outside dimensions: 39 1/2" x 19 1/2" x 2 1/16"
Interior dimensions: 38" x 17" x 2"
Countertop cutout: 38 1/2" x 18"
Minimum cabinet size: 42" or 107cm
Minimum clearance required for DryDock below countertop: 2"
DryDock location: Drain side (S)

Basin (KSO-30-S-DS-12-S-SS)

16GA 316L stainless steel indoor/outdoor
SilentArmor™ sound reduction technology
Angel finish
Three tier design
Star™ groove pattern
Reversible side drain
Drain cover included
Limited Lifetime Warranty
Made in the USA
ASME A112.19.3/CSA B45.4 certified
cUPC™ certified

Customize Your Galley

Add 7-12" length
Add 1-6" length
Add 18" DryDock
Add 12" DryDock
Apron front

9" depth
Center drain
ThinTop™
WorkTop™
*Color coded labels available

DryDock Tool included (DR-12)



(1) Lower Tier Drying Rack
12 1/4" x 17"
DR-12-L-xx

Recommended Basin Accessories & citrine.

Bottom Grate set BG-30-S-1-SS Stainless Steel



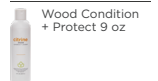
25 1/2"

CIT-09-SS-C



Stainless Steel Clean + Polish 9 oz

CIT-09-WD-C



Wood Condition + Protect 9 oz

Strainer M-DRN-MSS
Angel Finish 304 Stainless Steel



Disposal Strainer G-DRN-MSS
Angel Finish 304 Stainless Steel



Auto Strainer Angel Finish 304 Stainless Steel with Polished or Matte knob



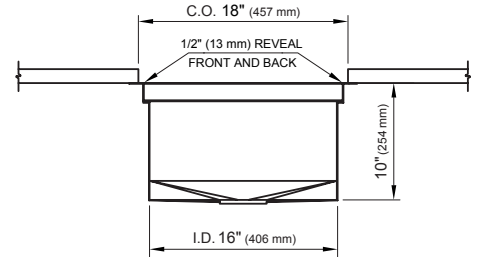
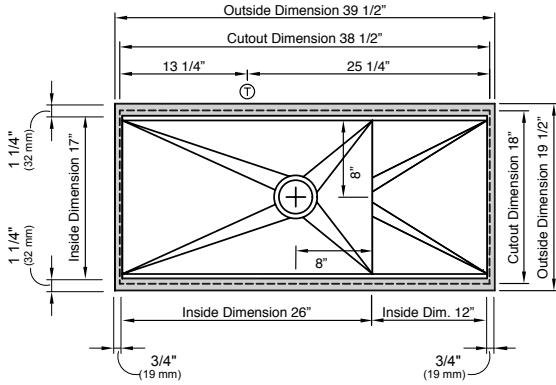
A-DRN-PSS
A-DRN-MSS
A-DRN-MSS shown

CIT-04-WD-B



Wood Finishing Balm 4 oz

Tap Hole Specifications



SUGGESTED GALLEY TAP PLACEMENT GUIDE

Suggested maximum inside corner radius of countertop cutout 3/8"

① Galley Bar Tap- 1 3/8" min to 1 1/2" max hole diameter

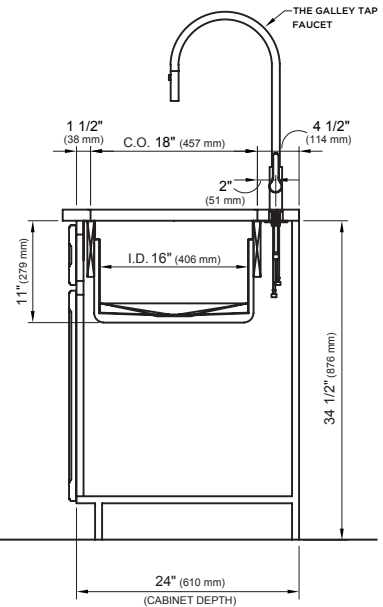
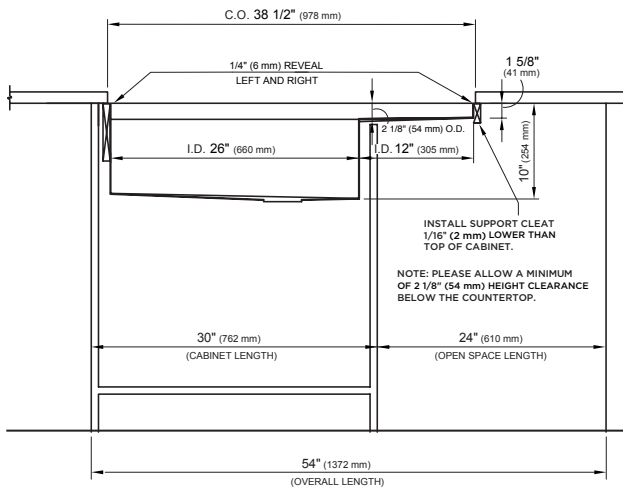
Center Tap hole diameters 2" behind cutout

Note: Galley Hot & Cold Tap requires a minimum 8" clearance to center if installed to the right of the Galley Tap

Note: Tap Placements are for right hand or left hand drain orientation

Call 800.375.4255 or email customerservice@thegalley.com for additional guidance on Tap and Tap Accessory placements

Countertop Cutout Plan



STAINLESS STEEL COMPLIANCE ASME A112. 19.3-2008/CSA B45.4-08

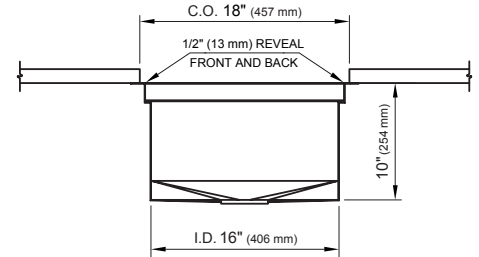
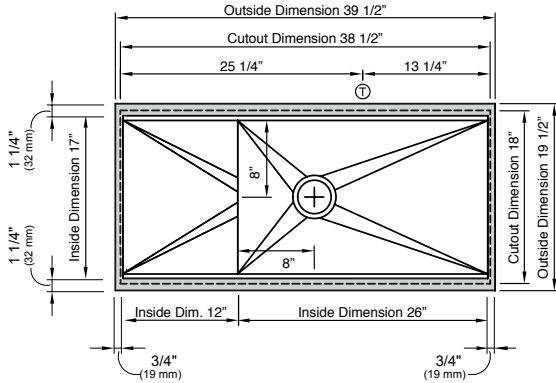
WE RESERVE THE RIGHT TO MAKE REVISIONS WITHOUT NOTICE IN THE DESIGN OF PRODUCTS OR IN PACKAGING UNLESS THIS RIGHT HAS SPECIFICALLY BEEN WAIVED AT THE TIME THE ORDER IS ACCEPTED.

DWG and DXF templates available on our website:

TheGalley.com/specification-library

Questions? For additional assistance, please contact
The Galley's Customer Care Department at 800.375.4255

Tap Hole Specifications



SUGGESTED GALLEY TAP PLACEMENT GUIDE

Suggested maximum inside corner radius of countertop cutout 3/8"

① Galley BarTap- 1 3/8" min to 1 1/2" max hole diameter

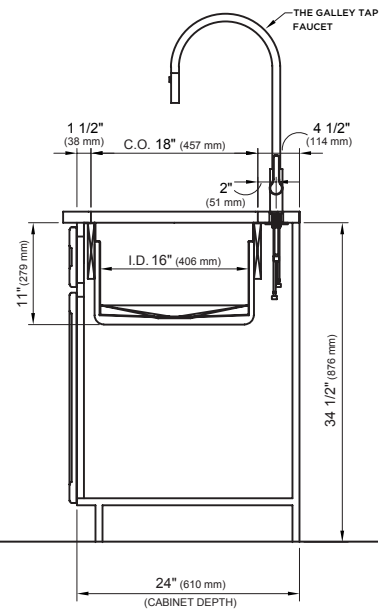
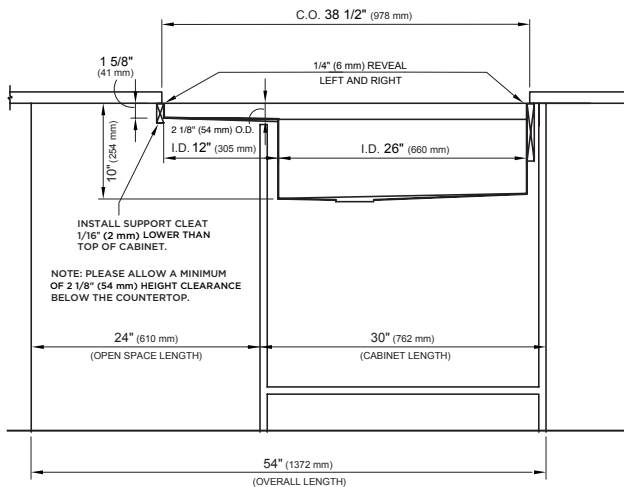
Center Tap hole diameters 2" behind cutout

Note: Galley Hot & Cold Tap requires a minimum 8" clearance to center if installed to the right of the Galley Tap

Note: Tap Placements are for right hand or left hand drain orientation

Call 800.375.4255 or email customerservice@thegalley.com for additional guidance on Tap and Tap Accessory placements

Countertop Cutout Plan



STAINLESS STEEL COMPLIANCE ASME A112. 19.3-2008/CSA B45.4-08

WE RESERVE THE RIGHT TO MAKE REVISIONS WITHOUT NOTICE IN THE DESIGN OF PRODUCTS OR IN PACKAGING UNLESS THIS RIGHT HAS SPECIFICALLY BEEN WAIVED AT THE TIME THE ORDER IS ACCEPTED.

DWG and DXF templates available on our website:
TheGalley.com/specification-library

Questions? For additional assistance, please contact
The Galley's Customer Care Department at 800.375.4255