



Location:

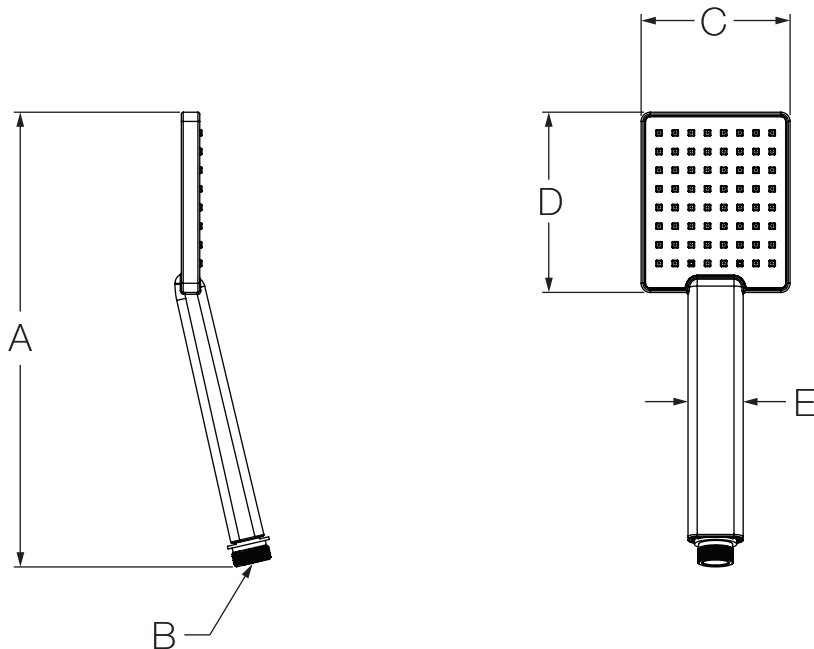


0195-2W (CD0195-2W)
 Square Hand Shower
Specification Submittal

Model Numbers	Specification
<input type="checkbox"/> 0195-2W <i>Square Hand Shower</i>	Square Hand Shower shall include 2.0 gpm (7.6 L/min) flow restrictor. Square Hand Shower shall be made from plastic construction, plated in standard polished chrome finish.
Modifications	Compliance
<input type="checkbox"/> -1.5 1.5 gpm (5.7 L/min) flow restrictor	-ASME A112.18.1/CSA B125.1 -WaterSense @ 1.5 gpm & 2.0 gpm
Note: Append appropriate -suffix to model number.	Warranty
	Limited Lifetime - to the original end purchaser in consumer/residential installations. 5 Years - for industrial/commercial installations. Refer to www.symmons.com/warranty for complete warranty information.



Dimensions



Measurements	
A	9-11/16", 246 mm
B	G 1/2"
C	3-3/16", 81 mm
D	3-7/8", 98 mm
E	1-3/16", 30 mm

Note: Dimensions subject to change without notice.