
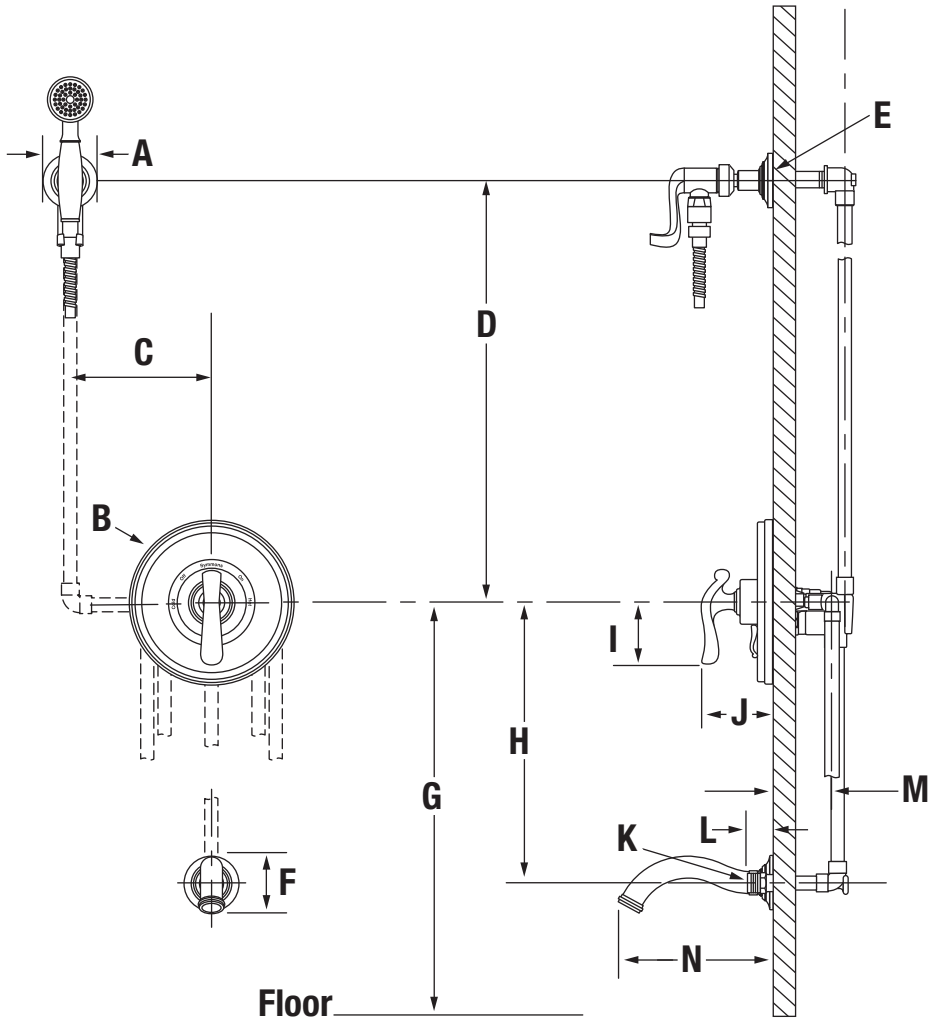




S-5104-TRM
 Winslet® Tub/Hand Shower Trim
Operation & Maintenance Manual

Model Numbers	Specifications
<input type="checkbox"/> S-5104-TRM <i>Tub/Hand Shower Trim</i>	<p>Tub/hand shower trim with lever handle and secondary integral diverter handle includes wall cradle for hand shower mounting, non-diverter tub spout, in-line vacuum breaker, flexible metal hose and 1 mode hand shower with 2.5 gpm (9.5 L/min) flow restrictor. Components made from metal and nonmetallic materials plated in standard polished chrome finish.</p>
Modifications	Compliance
<input type="checkbox"/> -1.5 CG <i>1.5 gpm (5.7 L/min) flow restrictor</i> <input type="checkbox"/> -2.0 <i>2.0 gpm (7.6 L/min) flow restrictor</i> <input type="checkbox"/> -462HSB <i>30" slide bar in place of wall cradle on hand shower units</i> <input type="checkbox"/> -STN <i>Satin nickel finish</i>	<p>-ASME A112.18.1; CSA B125.1</p> 
<p>Note: Append appropriate -suffix to model number.</p>	Warranty
	<p>Limited Lifetime - to the original end purchaser in consumer installations. 5 Years - for commercial installations.</p> <p>Refer to www.symmons.com/warranty for complete warranty information.</p>

Dimensions

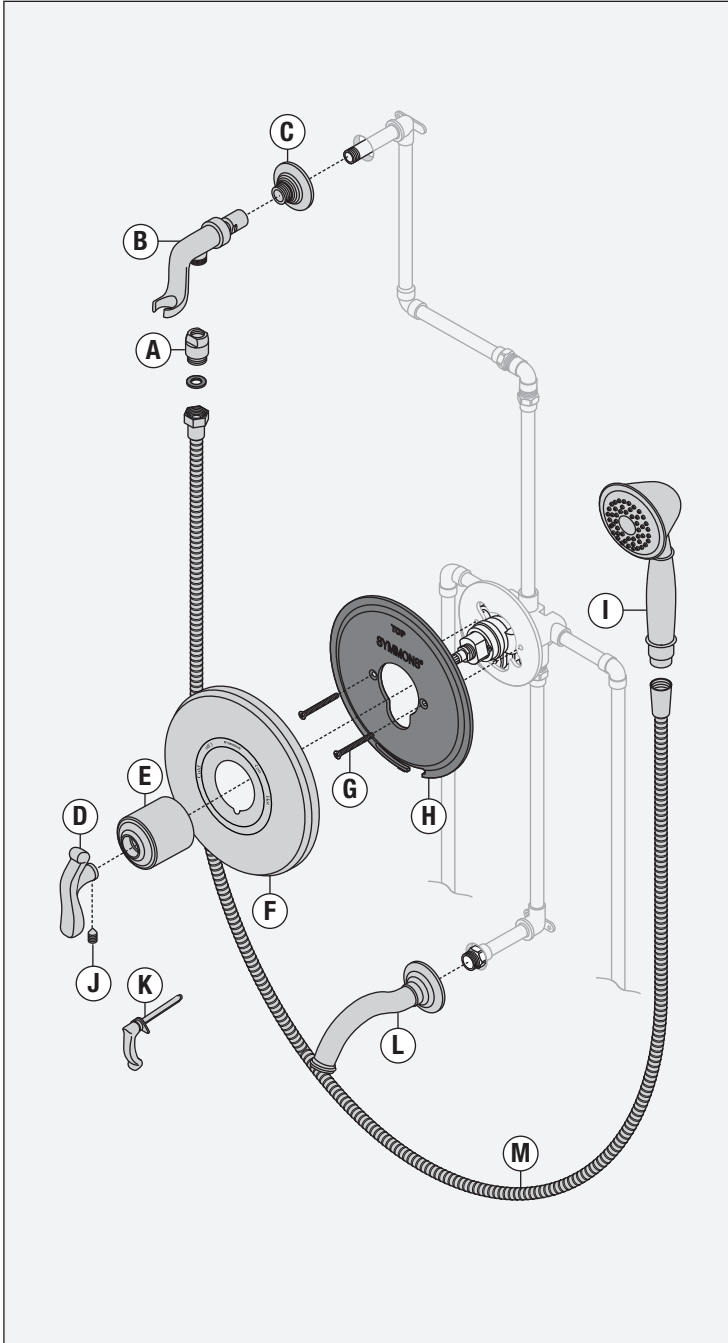


Measurements	
A	2 1/8", 54 mm
B	Ø 7 1/2", 191 mm
C	6", 152 mm right or left
D	40", 1,016 mm
E	Male 1/2" IPS thread must protrude 1/2" from finished wall
F	2 5/8", 67 mm
G	32", 813 mm
H	12", 305 mm
I	2 7/8", 73 mm
J	3 1/2", 89 mm
K	1/2" NPT
L	1/2", 13 mm
M	(Rough in) 2 3/8" ± 1/2", 60 mm ± 13 mm
N	7 1/8", 181 mm

Notes:

- 1) All dimensions measured from nominal rough-in (see M as reference).
- 2) Dimensions are subject to change without notice.

Parts Breakdown



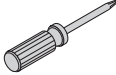



Replacement Parts		
Item	Description	Part Number
A	Vacuum Breaker	EF-104
M	60" Hose	
B	Wall Cradle	T-613
C	Wall Cradle Flange	T-606
D	Handle	T-611
J	Set Screw	
E	Dome Cover	T-608-PL
F	Shower Escutcheon	T-609A-NS-K001
G	Mounting Screws	
H	Mounting Plate	
I	Hand Shower	462W
K	Diverter Lever Handle	T-610
L	Tub Spout	512TS

Notes:

1) Append -STN for satin nickel finish.

2) Append -1.5 or -2.0 to hand shower for low flow.

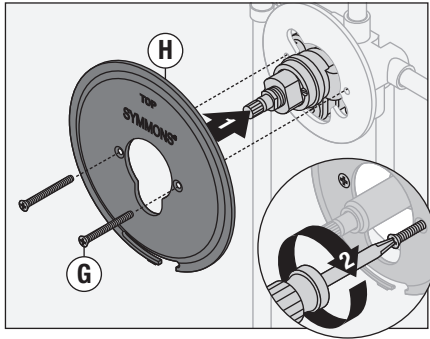
Required for Installation	
Adjustable wrench	
Allen wrench (3/16")	
Phillips head screwdriver	
Plumber tape	

Installation

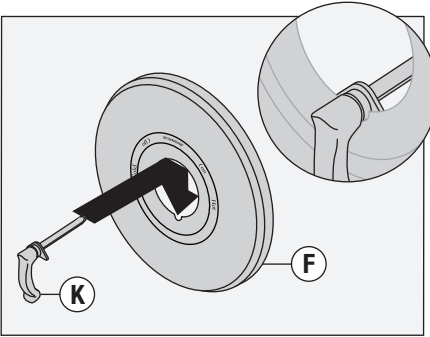
Note:

For valve body installation, please see valve body installation guide.

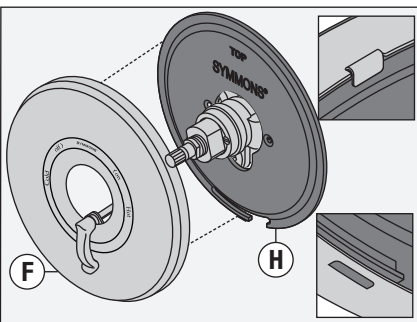
- 1) Install mounting plate (H) onto shower valve (S-46-2-BODY). Secure with two screws (G).



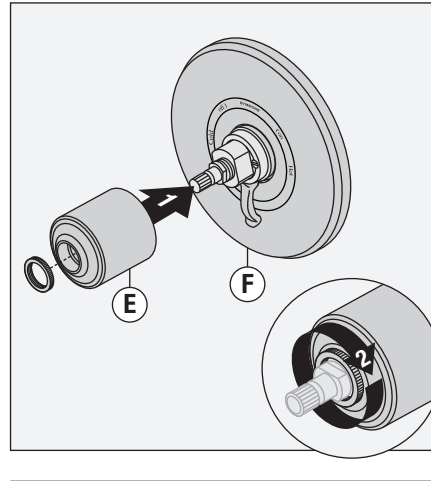
- 2) Install diverter lever handle (K) into escutcheon (F).



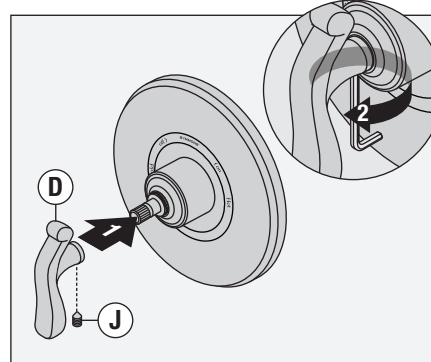
- 3) Attach escutcheon (F) onto mounting plate (H).



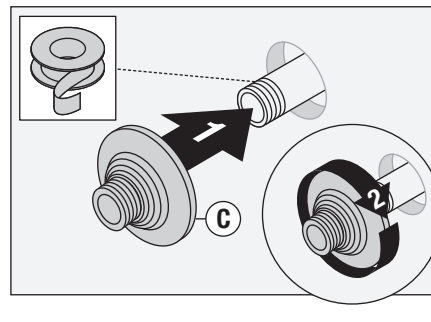
- 4) Install dome cover (E) to valve by turning clockwise.



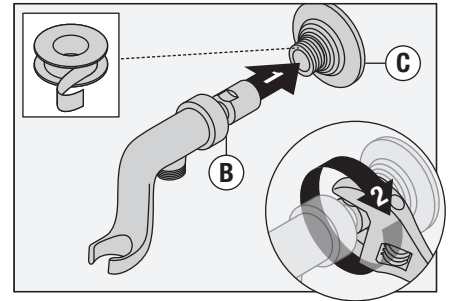
- 5) Install handle (D) to valve. Secure handle by tightening set screw (J).



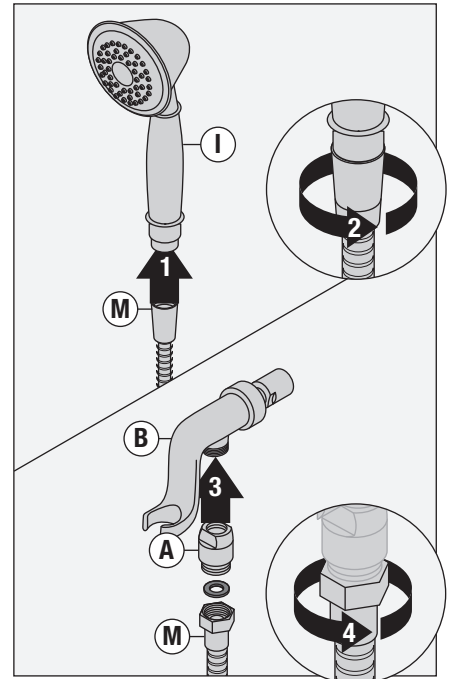
- 6) Install wall cradle flange (C) to pipe fitting by turning clockwise.



- 7) Attach wall cradle (B) to wall cradle flange (C) turning clockwise to tighten.

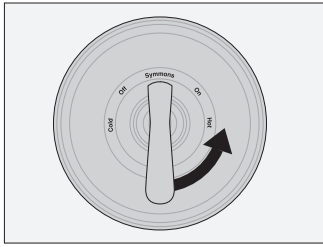


- 8) Attach large end of hand shower hose (M) to hand shower (I). Attach small end of hand shower hose (M) and gasket to in-line vacuum breaker (A). Connect in-line vacuum breaker (A) to wall cradle (B). Turn clockwise to tighten.

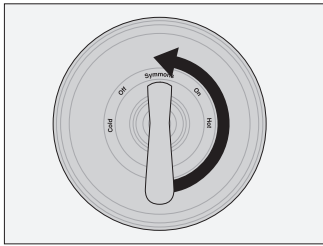


Temperature Control

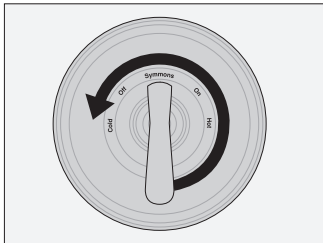
- 1) Turn shower handle counter-clockwise approximately 1/4 turn to put valve in cold position.



- 2) Turn shower handle counter-clockwise approximately 1/2 turn to put valve in warm position.

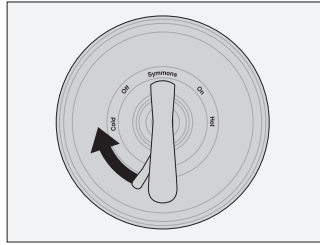


- 3) Turn shower handle counter-clockwise approximately 3/4 turn to put valve in hot position.

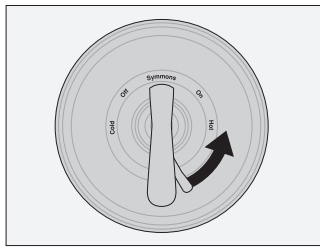


Diverter Control

- 1) Turn diverter left for tub spout operation.

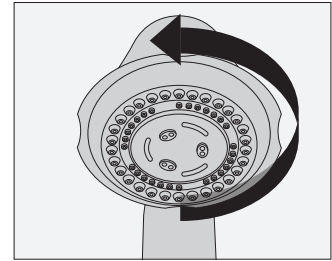


- 2) Turn diverter right for hand shower operation.



Hand Shower Mode

- 1) Turn shower head to desired mode of operation.



Troubleshooting Chart

Problem	Cause	Solution
Finish is spotting.	Elements in water supply may cause water staining on finish.	Clean finished trim area with a soft cloth using mild soap and water or a non-abrasive cleaner and then quickly rinse with water.

⚠ WARNING: This product can expose you to chemicals including lead, which is known to the state of California to cause cancer, birth defects, or other reproductive harm. For more information, go to www.P65Warnings.ca.gov.