

Location:


SYMMONS® Showeroff®
Shower Limiter Valve 4-427-R
Specification Submittal

Model Numbers

- 4-427-R Showeroff Shower limiter valve

Modifications

- STN Satin Nickel finish
- TRM Trim only, valve not included

Warranty

- Limited Lifetime - to the original end purchaser in residential / consumer installations.
- 5 years - for commercial installations

Feature Highlights

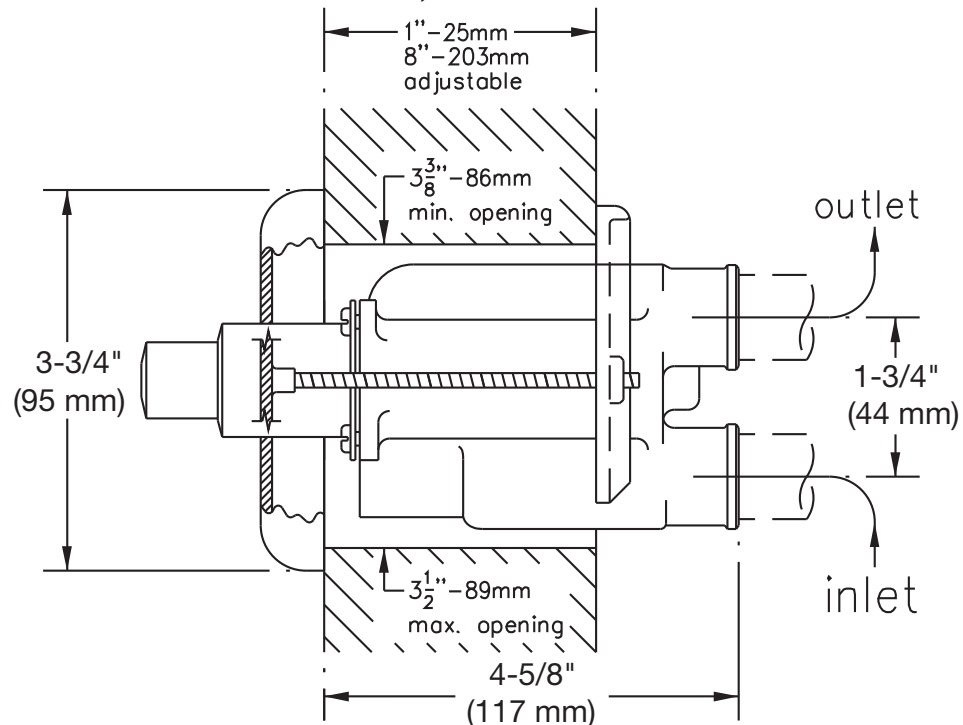
- Manual Showeroff limiter valve
- Integral service stop for shutting water off when servicing valve cartridge
- 1/2 inch IPS back connections
- Vandal resistant mounting fasteners, recessed hex socket type.
- Polished chrome finish

Standards / Certifications

- ASME A112.18.1/CSA B125.1



Dimensions Showeroff Shower Valve, 4-427-R



Notes:

- (1) Illustrated 3" with (76 mm) wall
- (2) Dimensions subject to change without notice