

CTS BELL HANGER

» 508 SERIES

SPECIFICATION

Sioux Chief 508 series copper plated bell hangers shall be used where necessary to support copper CTS in piping systems. Hanger shall be fastened directly to studs, joists or walls and secured with 2½" mounting screw (provided). Bell hanger shall minimally provide a ¾" stand off distance from mounting surface. Hanger shall be copper-plated. Upper and lower pipe saddles of hanger shall fit ½", ¾" or 1" CTS tube after screws are tightened. Upper pipe saddle may or may not have void in strap for easier installation.

MATERIALS

Bell hanger: 22-gauge copper-plated steel

Mounting screw: #6 x 2½" bugle head, with coarse threads

Clamping screws: ⅜" x 10-32 round head

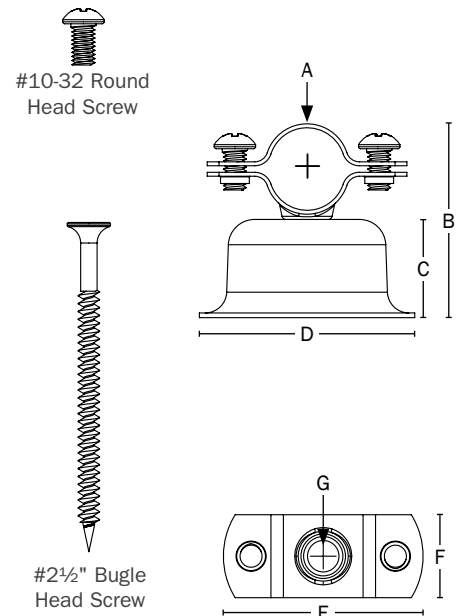
INSTALLATION

Mount hanger directly to stud, joist or wall surface using #6 x 2½" bugle head screw. Once hanger is secured, position copper tube in pipe saddles by loosening each machine screw on either side of clamping saddles. Tighten screws to secure pipe in place.

DIMENSIONS

	508-2	508-3	508-4
A: tube size	½" CTS	¾" CTS	1" CTS
B: overall height	1.43"	1.66"	1.94"
C: bell height	0.75"	0.75"	0.75"
D: bell width	1.645"	1.645"	1.645"
E: strap length	1.525"	1.825"	1.645"
F: strap width	0.633"	0.633"	0.633"
G: hole size	0.375"	0.375"	0.375"

ITEM # SUBMITTED	_____
JOB NAME	_____
LOCATION	_____
ENGINEER	_____
CONTRACTOR	_____
PO#	_____ TAG _____



Create Item Number

508-AB

e.g. 508-2B: ½" bell hanger, domestic

TUBE SIZE A

2 = ½" CTS

3 = ¾" CTS

4 = 1" CTS

PACKAGE TYPE B

B = bulk (made in USA)

PK = individually bagged (made in TWN)