

Recessed Shampoo Shelf

Model RS-2215 Installation • Care and Cleaning

Included In Carton

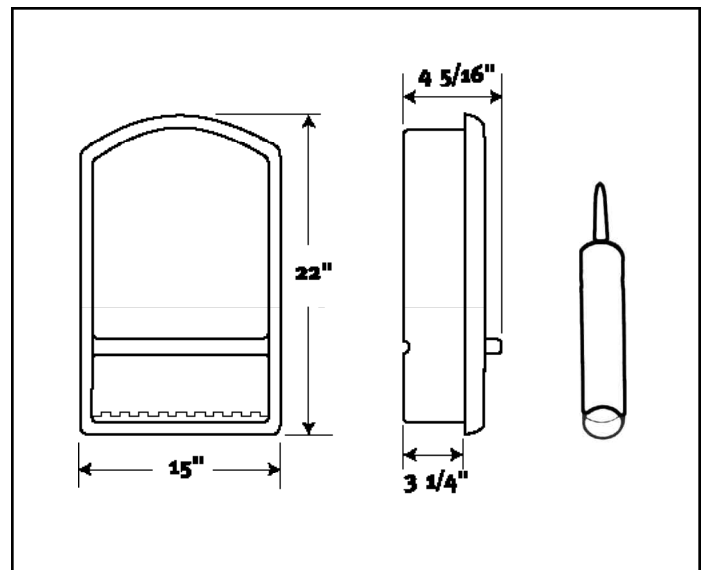
- One Recessed Shampoo Shelf
- One Tube of Silicone Adhesive

CLEANING

Following Installation: Silicone adhesive residue can be cleaned up with mineral spirits.

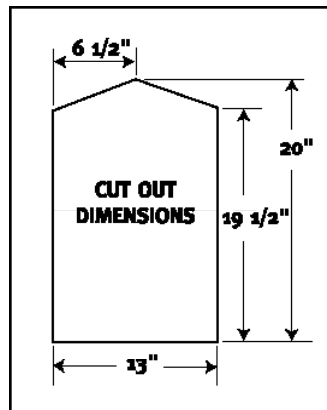
DAY-TO-DAY CLEANUP

Like all Swanstone material, use normal household detergents and cleansers. Just wiping the surface removes watermarks and residues. Occasional scrubbing with household abrasive cleaners ensures that the original luster is maintained similar to tile and other permanent bath fixture materials.

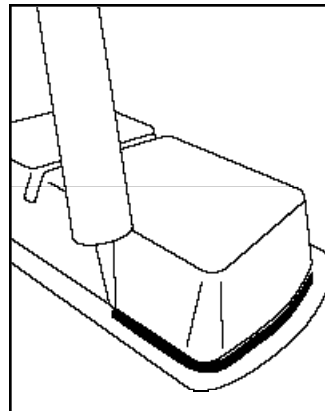


IMPORTANT

Select a desirable location for the mounting of the Swanstone Shampoo Shelf. A stud finder may be used to assist in locating an area which will allow for placement of the unit between studs. The depth of Recessed Shampoo Shelf ($3\frac{3}{4}$ "") will not permit any obstruction in the wall (light fixture, electrical wiring, plumbing, etc.). Therefore, it will be necessary to check prior to installation that the area occupied by the Recessed Shampoo Shelf is clear of any obstructions.

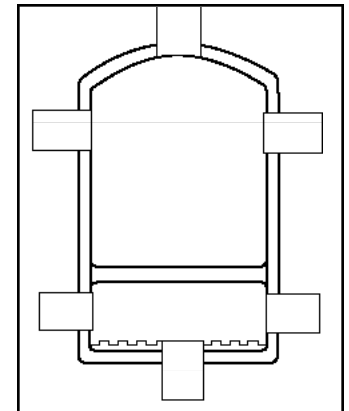


2. Cut a hole to the dimensions illustrated above.



IMPORTANT

Apply a $\frac{1}{8}$ " bead of silicone adhesive (supplied) around the inside corner of the Swanstone Shampoo Shelf.



To assist in a secure fit, it is suggested that the Swanstone Recessed Shampoo Shelf be held into place with either masking tape or hot glue. Tape the Recessed Shampoo Shelf into position, or apply a dab of hot glue in each corner. This will hold the Swanstone Recessed Shampoo Shelf in place until the silicone adhesive sets up. It may be necessary to re-caulk the perimeter of the Recessed Shampoo Shelf. Allow 24 hours for drying.