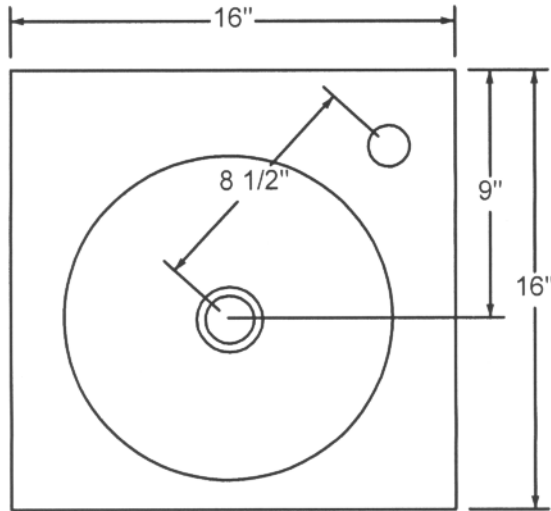
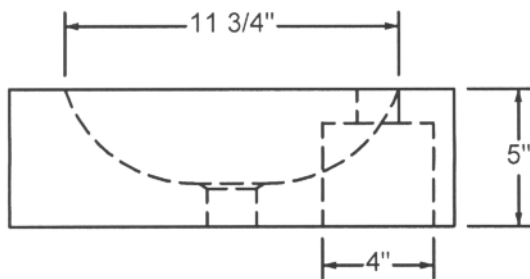


C55
CIRQUE VESSEL

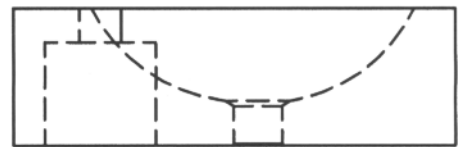
© 2006 STONE FOREST, INC.



TOP VIEW



FRONT VIEW



SIDE VIEW

Polished interior and exterior

Available in:

Black Granite (BL)

Sandstone (SN)

Approx thickness at drain is 1".

Required drain use 9054D Grid Drain

or 9058D Lift & Turn. Drains are 1.25" NPT.

This can be supplied by Stone Forest at
your request in select finishes.

Do not use pop-up drains

Approx 80 lbs

UPC® listed