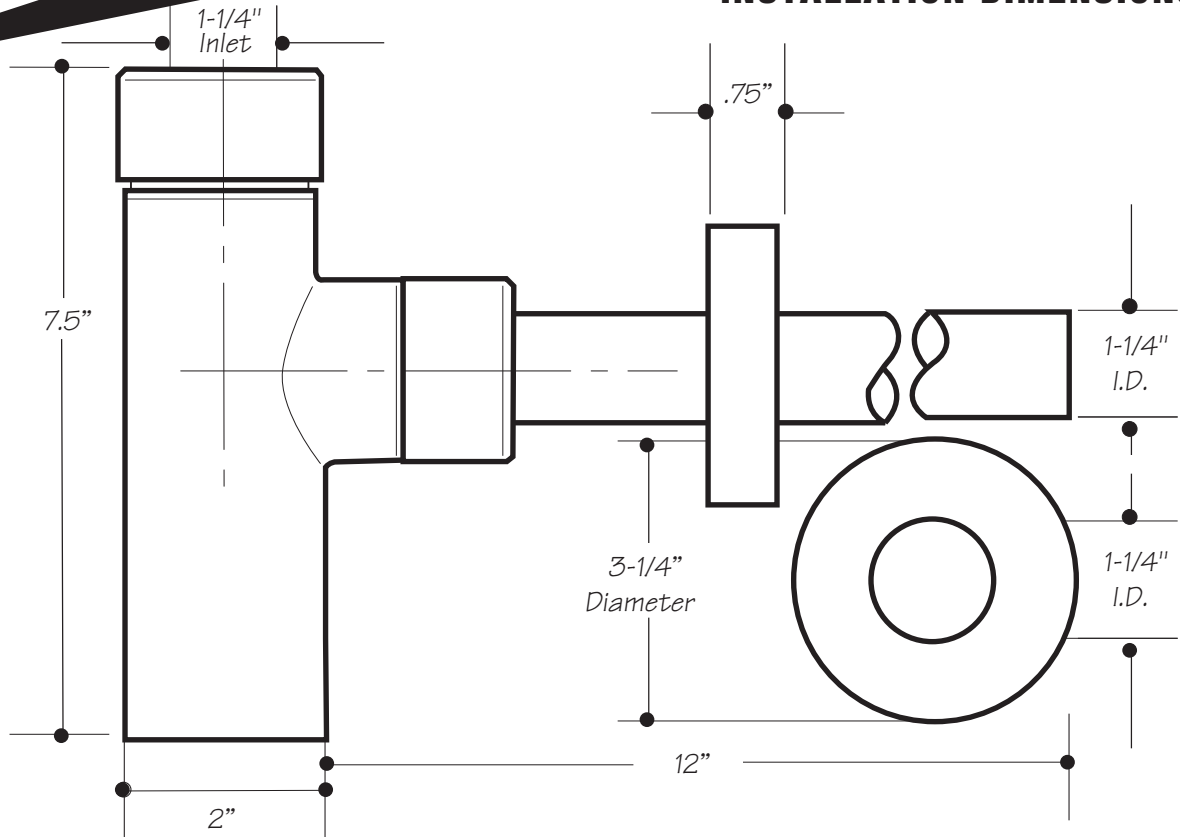


INSTALLATION DIMENSIONS



This model offers you the following features & benefits:

- 1-1/4" inlet and outlet
- Reducer Seal for 1-1/2" x 1-1/4"
- Can be used for exposed Installations
- IAPMO Approved.
- ASME A1121, 18.2 and CSA B125-1 Approved
- Available in 6 finishes
 - CPB - Polished Chrome
 - SC - Satin Chrome
 - PN - Polished Nickel
 - BRN - Brushed Nickel
 - PVD - Polished Brass
 - ORB - Oil Rubbed Bronze

One year warranty on plated finish.

Specifications subject to change without notice.