

**Features**

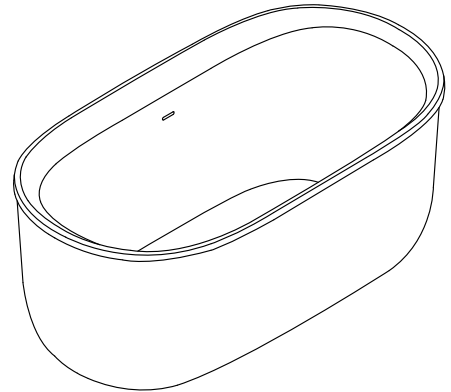
- Freestanding design creates a striking focal point in your bathing area.
- Oval-shaped basin offers a graceful and spacious bathing experience.
- Center offset toe-tap drain.
- 17-1/4" bathing depth offers a deep soaking experience.
- Sloped lumbar support on both ends.
- Wide ledge on one side is ideal for deck-mount faucet and/or handshower.
- Bottom surface manufactured with textured appearance.
- Built-in integral overflow.

**Material**

- Acrylic.

**Included Components**

Additional Components:  
Chrome drain



**Codes/Standards**

CSA B45.5/IAPMO Z124  
ASTM E162  
ASTM E662

**Warranty – Bathing Fixtures (and)  
Kitchen and Utility Sinks Made of Solid  
Vikrell® Material**

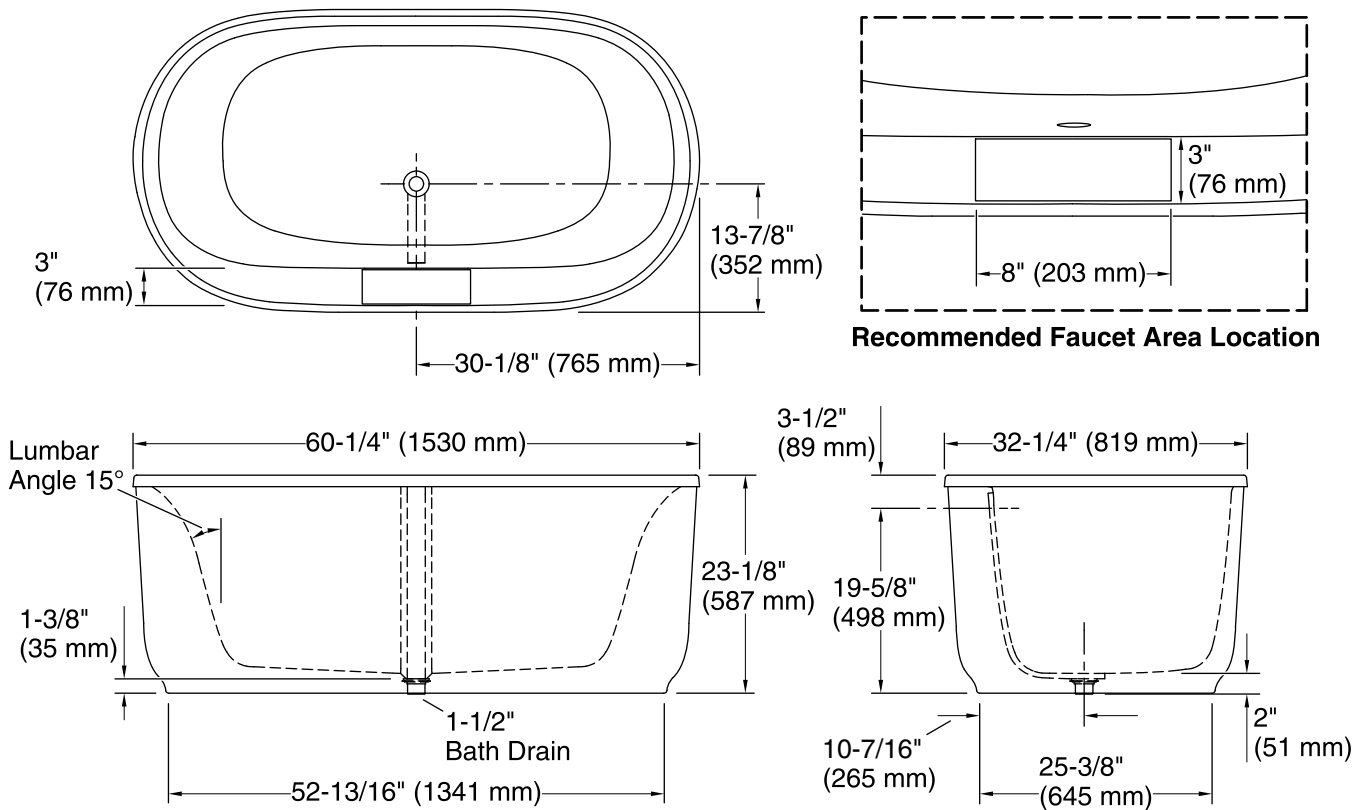
See website for detailed warranty information.

**Available Colors/Finishes**

*Color tiles intended for reference only.*

**Color Code Description**

	0	White
--------------------------------------------------------------------------------------	---	-------



### Technical Information

All product dimensions are nominal.

Installation:	Freestanding
Drain location:	Center
Basin area, bottom:	53-3/8" x 25-3/8" (1356 mm x 644 mm)
Weight:	90 lbs (40.8 kg)
Water depth:	17-1/4" (438 mm)
Water capacity:	65 gal (246.1 L)

### Notes

- Install this product according to the installation instructions.
- Measure your actual product for rough-in details. The hot water supply should be 70% of the capacity of the bath or greater. Installations will vary.
- This bath is designed for freestanding installation only.
- If installing a rim-mount faucet, make sure there is no interference above or below the deck before drilling any holes.