

**Features**

- Integrated handles
- Convenient height for ease and comfortable use
- 21-7/8" x 17-3/8" x 13-1/8"
- Holds up to 300 lbs.

**Recommended Products/Accessories**

- 80001012 12" Grab Bar
- 80001018 18" Grab Bar



**Codes/Standards**



None Applicable

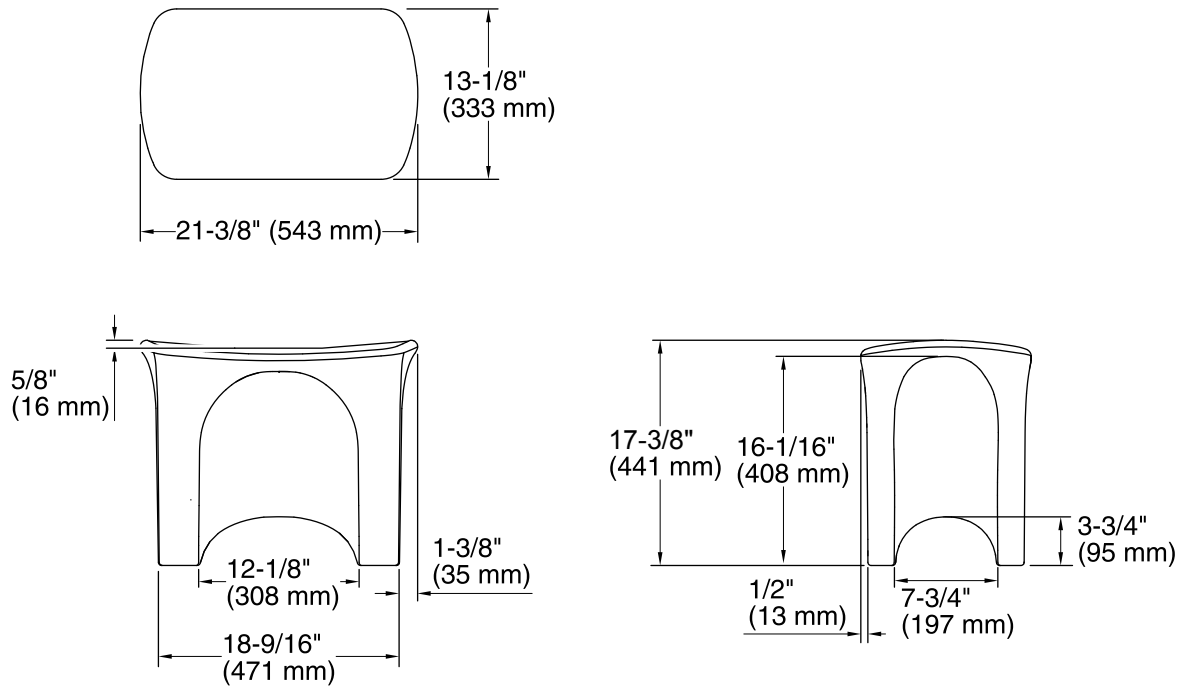
**Warranty – Bathing Fixtures (and)  
Kitchen and Utility Sinks Made of Solid  
Vikrell® Material**

See website for detailed warranty information.

**Available Colors/Finishes**

*Color tiles intended for reference only.*

| Color  | Code | Description    |
|--|------|----------------|
|  | 0    | White          |
|  | 96   | KOHLER Biscuit |



**Technical Information**

All product dimensions are nominal.