



STORE+®
60-1/4" x 30" bath/shower
71470110



Features

- Tongue-and-groove modular design allows for easy installation during any phase of construction.
- Includes four rimmed shelves, two caddies, two hooks, and two soap dishes with towel bar.
- Dishwasher-safe shelves and bins snap into place; no tools required.
- Holds up to 30 bottles.
- Easy-to-clean, durable high-gloss finish.

Material

- Compression molded from our exclusive solid Vikrell® material.

Installation

- Alcove.
- Caulk-free installation.
- Left drain.

Recommended Products/Accessories

K-23726 Drain treatment
K-23733 Vikrell® cleaner

Included Components

Product consists of:

71474100
71171110

Additional Components:

10-piece Accessory Kit



Codes/Standards

CSA B45.5/IAPMO Z124
ASTM E162
ASTM E662
HUD, UM Bulletin 73


STERLING® Vikrell® or Acrylic Baths and Shower Bases Ten-Year Limited Warranty

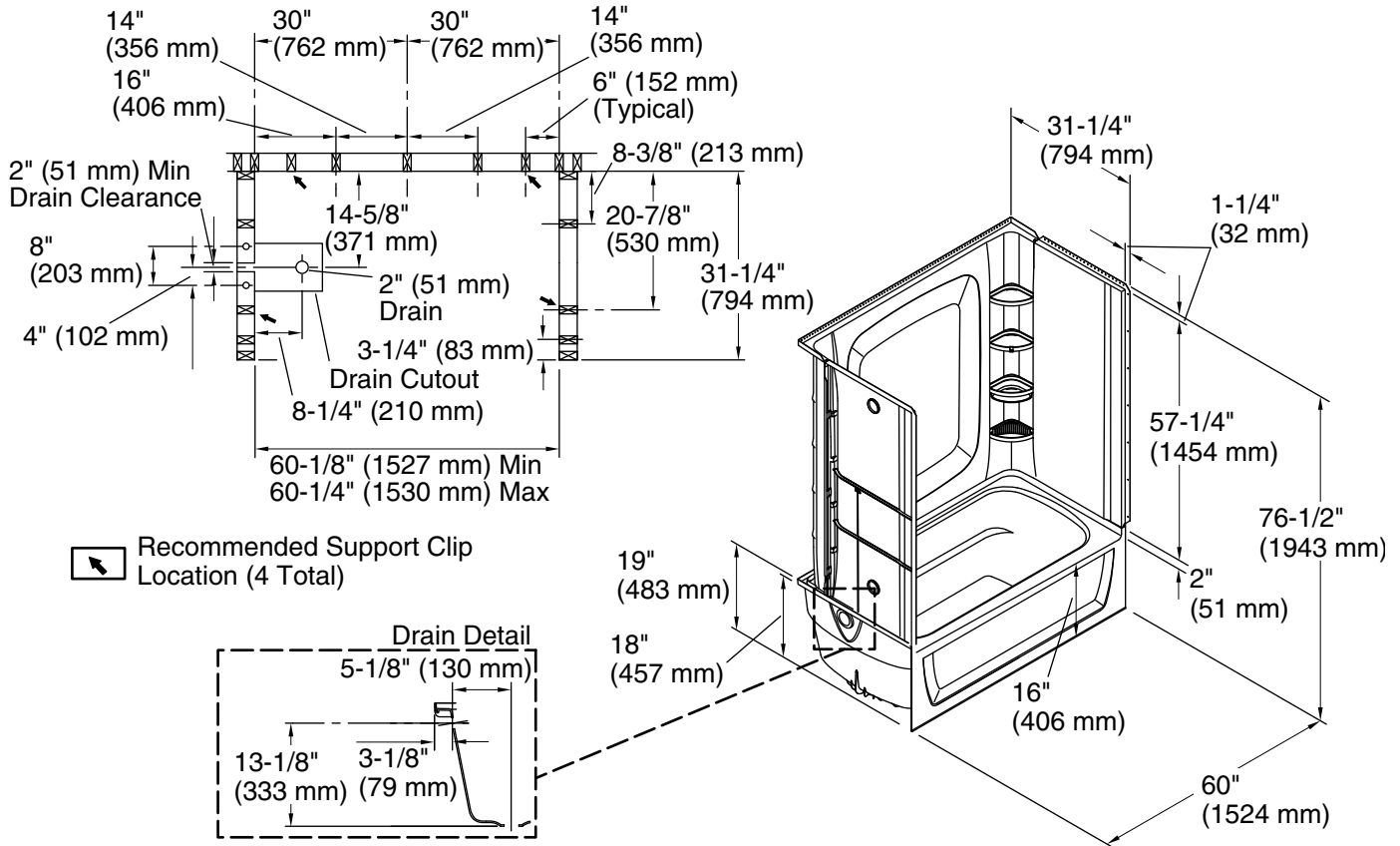
See website for detailed warranty information.

Available Colors/Finishes

Color tiles intended for reference only.

| Color | Code | Description |
|-------|------|-------------|
|-------|------|-------------|

| | | |
|---|---|-------|
|  | 0 | White |
|---|---|-------|



Technical Information

All product dimensions are nominal.

| | |
|----------------------|------------------------------|
| Installation: | Three-wall alcove |
| Drain location: | Left |
| Basin area, bottom: | 45" x 20" (1143 mm x 508 mm) |
| Basin area, top: | 53" x 23" (1346 mm x 584 mm) |
| Weight: | 128 lbs (58.1 kg) |
| Water depth: | 11-1/4" (286 mm) |
| Water capacity: | 44 gal (166.6 L) |
| Maximum door height: | 59" (1499 mm) |
| Maximum door width: | 57-11/16" (1465 mm) |

Notes

Install this product according to the installation instructions.

Studs should be positioned roughly as shown.

Double studding is recommended for pivot shower door installations.