



Standard pivot shower door, 64" H x 34-1/4" W
26936-3G06

Features

- Full-length magnetic seal keeps door firmly closed, providing excellent water containment.
- 1/8" (3 mm) thick tempered and fully framed glass ensures maximum safety and durability.
- 64" (1625.6 mm) high, with no minimum head clearance restriction.
- Inner and outer full length integrated aluminum handles provide easy operation.
- Integrated drip rail directs water back into the shower.
- Rain-textured glass provides privacy and decorative design.
- Made in the U.S.A.

Material

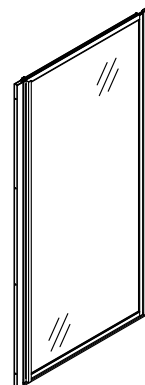
- Anodized aluminum prevents rust and corrosion.

Installation

- Fits opening widths 32-3/4" - 34-1/4" (832 - 870 mm).
- Requires 1" (25 mm) minimum threshold depth.
- Door can be installed to open to the left or right to suit your bathroom layout.
- Out-of-plumb adjustability simplifies installation.
- For residential use only.
- Not for use in hospitality.

Recommended Products/Accessories

72300100 36" x 34" x 75-3/4" shower stall



Codes/Standards

ANSI Z97.1

CPSC 16CFR 1201

STERLING® Bath and Shower Doors Three-Year Limited Warranty

See website for detailed warranty information.

Available Glass Options

Code	Description
------	-------------

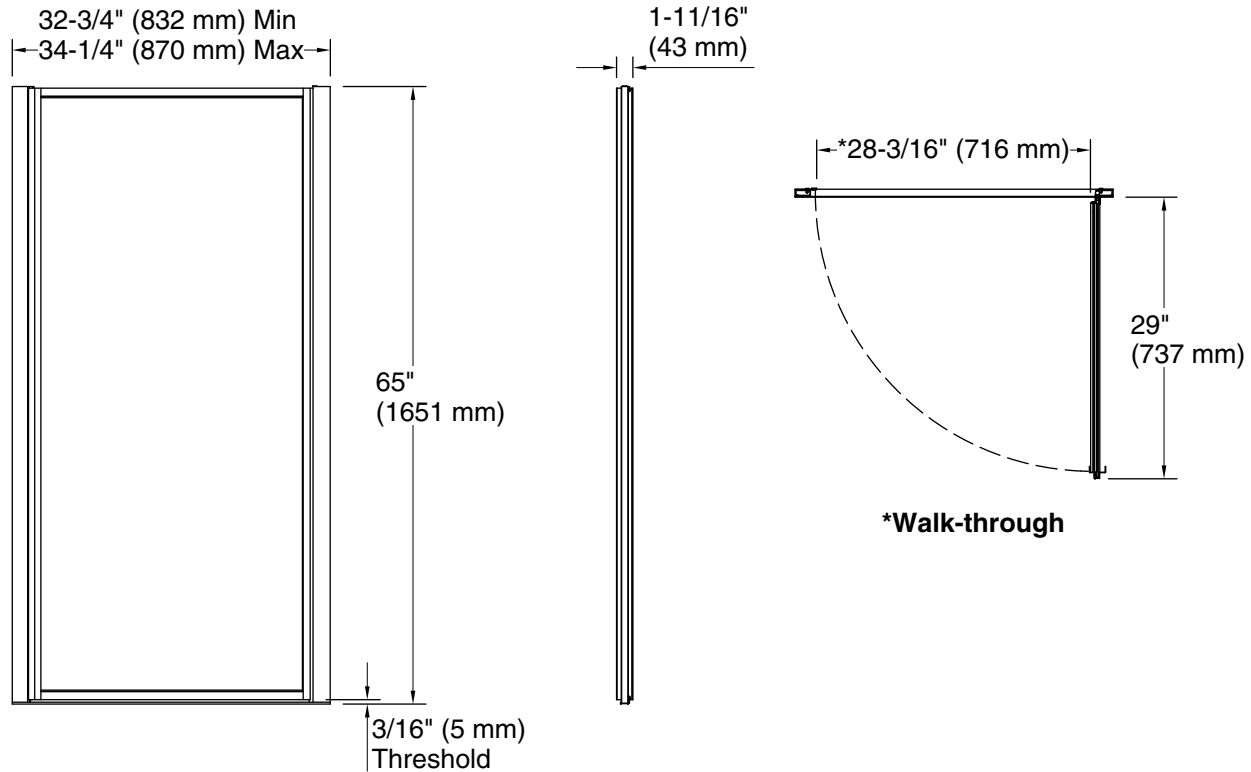
G06	Rain
-----	------

1-800-STERLING (1-800-783-7546)

Kohler Co. reserves the right to make revisions without notice to product specifications.

For the most current Specification Sheet, go to www.sterlingplumbing.com.

8-4-2021 04:46 - US



Technical Information

All product dimensions are nominal.

Installation type:	For shower base installation
Opening Width - Min:	32-3/4" (832 mm)
Opening Width - Max:	34-1/4" (870 mm)
Walk-through - Min:	28-3/16" (716 mm)
Walk-through - Max:	28-3/16" (716 mm)
Base-To-Wall Radius - Max:	3/8" (10 mm)
Glass thickness:	1/8" (3 mm)

Notes

Install this product according to the installation instructions.

The vertical opening should be a minimum of 65" (1651 mm) to allow for installation clearance.