



Southaven®

Top-mount Kitchen Sink

11403-3

Features

- Top-mount
- Three faucet holes
- 6-1/2"-deep single bowl
- 3-5/8" drain opening
- Stainless steel with durable satin finish
- SilentShield technology
- 20-gauge stainless steel
- Lifetime limited warranty
- ADA-adaptable when installed per the requirements of the Accessibility Guidelines, Section 606 Sinks, of the Act

Optional Products/Accessories

7400 Sink Strainer

Included Components

Product consists of:

1150001 Installation Clips



ADA

Codes/Standards

ASME A112.19.3/CSA B45.4

ADA

ICC/ANSI A117.1

STERLING® Warranty - Stainless Steel Sinks

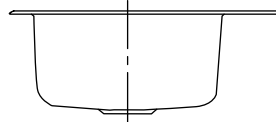
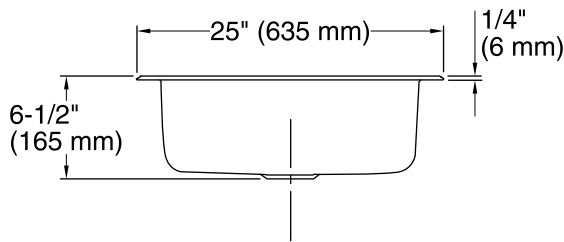
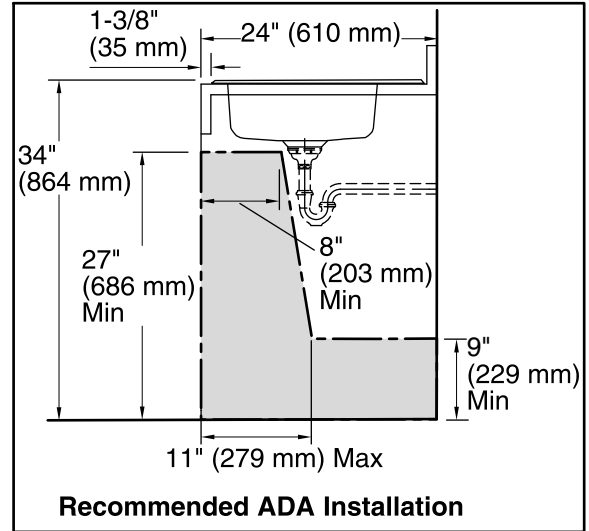
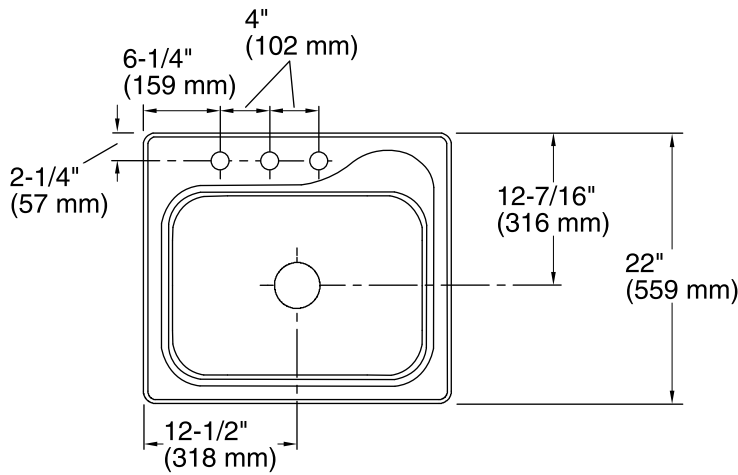
See website for detailed warranty information.

1-800-STERLING (1-800-783-7546)

Kohler Co. reserves the right to make revisions without notice to product specifications.

For the most current Specification Sheet, go to www.sterlingplumbing.com.

4-25-2019 17:02 - US



Technical Information

All product dimensions are nominal.

- Bowl configuration: Single
- Installation: Top-mount
- Cutout: Top-mount, 24-1/2" x 21-1/2" (622 mm x 546 mm) with 3/4" (19 mm) radius corners
- Min. base cabinet width: 27" (686 mm)
- Bowl area (Only): Length: 21" (533 mm)
Width: 15-1/4" (387 mm)
Bowl depth: 6-1/2" (165 mm)
Water depth: 6-1/2" (165 mm)
- Number of deck holes: 3
- Faucet hole(s): 1-7/16" (37 mm)
- Drain hole: 3-5/8" (92 mm)
- Template: 1032928-7, not required, not included

Notes

- Install this product according to the installation instructions.
- Measure your actual product for roughing-in details.
- ADA compliant when installed to the specific requirements of these regulations.