

## Speakman A-TMV Under Counter Thermostatic Mixing Valve

### FEATURES:

- 2.66 GPM (10.1 L/min) capacity @ 45 PSI differential pressure
- Maximum working pressure: 125 PSI
- 3/8" compression male thread inlets and 3/8" compression male thread outlet

### TEMPERATURE FEATURES:

- Hot water inlet temperature range: 120° F to 180° F
- Cold water inlet temperature range: 37° F to 80° F
- Outlet water temperature range: 80° F to 120° F
- Minimum temperature differential: 18° F (hot water supply to valve set point)

### STANDARDS:

- ASSE 1070 certified
- cUPC certified

### WARRANTY:

Visit [www.speakman.com](http://www.speakman.com) for full product warranty information

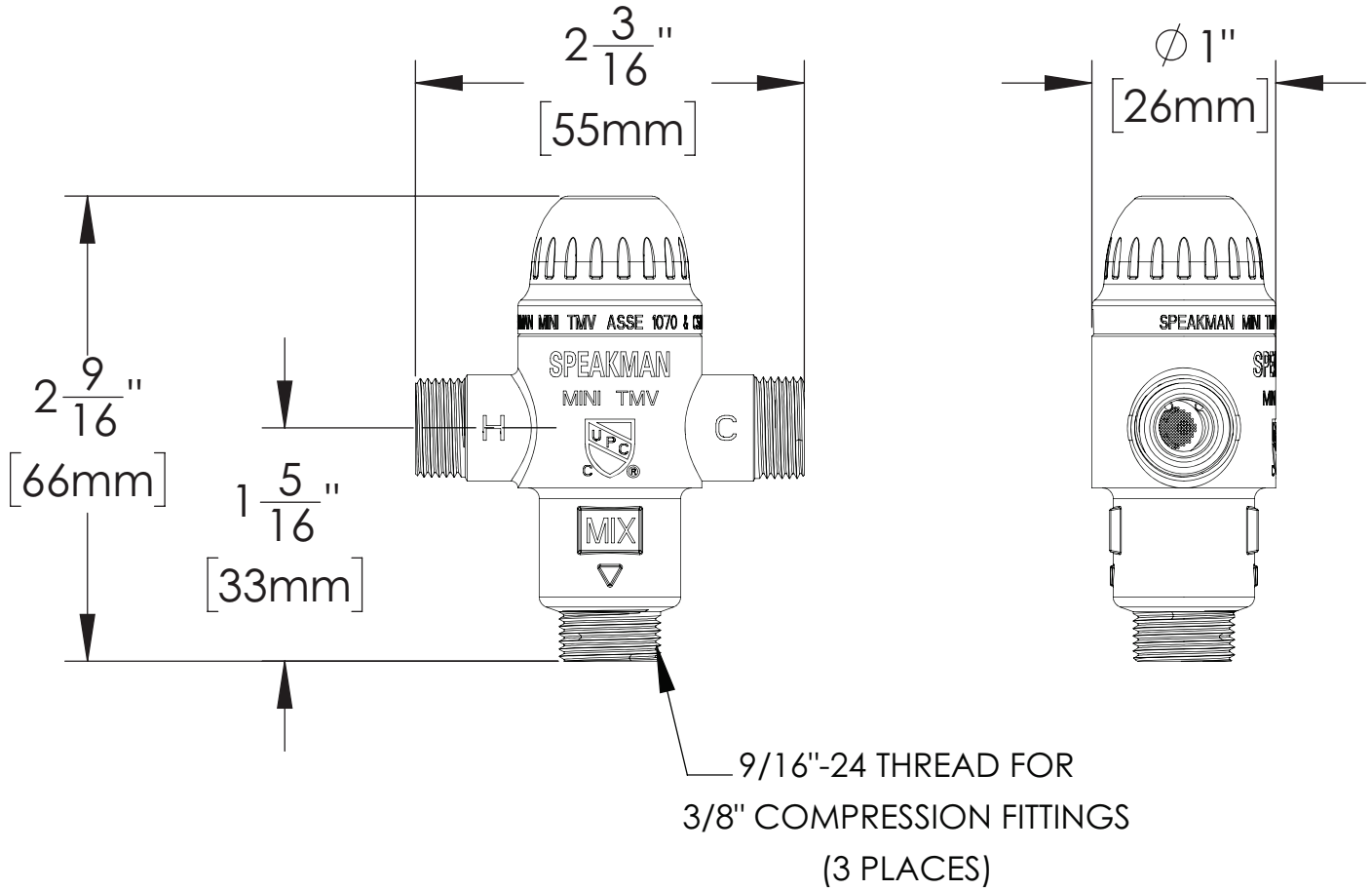
- 3 Year Limited Warranty (commercial)



Information continues on next page

1. All dimensions are in inches (millimeters) unless otherwise specified and are subject to change without notice.

## Speakman A-TMV Under Counter Thermostatic Mixing Valve



### FLOW CAPACITY OF A-TMV

PRESSURE DROP,	psi (bar)	5	10	15	20	30	40	45	50
		(0.4)	(0.7)	(1.0)	(1.4)	(2.1)	(2.8)	(3.1)	(3.4)
TEMPERED FLOW,	GPM (L/min)	0.66	1.2	1.5	1.74	2.16	2.51	2.66	2.8
		(2.5)	(4.5)	(5.7)	(6.6)	(8.2)	(9.5)	(10.1)	(10.6)

1. All dimensions are in inches (millimeters) unless otherwise specified and are subject to change without notice.