

## Emergency Equipment Alarm System

### MODELS:

- ALM3-C1D2: Class 1 Division 2, Single-Pole Double Throw
- ALM3-C1D2-DPDT: Class 1 Division 2, Double-Pole Double Throw (supplied with DPDT flow switch for remote location signaling)

### FEATURES:

- Electrical Supply: 120 VAC, 60 cycle single phase
- Electrical Rating: 3.9 Amps @ 120 VAC
- Electro-mechanical vibrating horn, 100dB @ 10 Ft.
- Flashing Amber LED light @ 65 flashes per minute
- Silencing push button to shut horn off during usage
- Activated by 3/4" vapor proof flow switch
- 1" NPT female inlet, 1-1/4" NPT female outlet

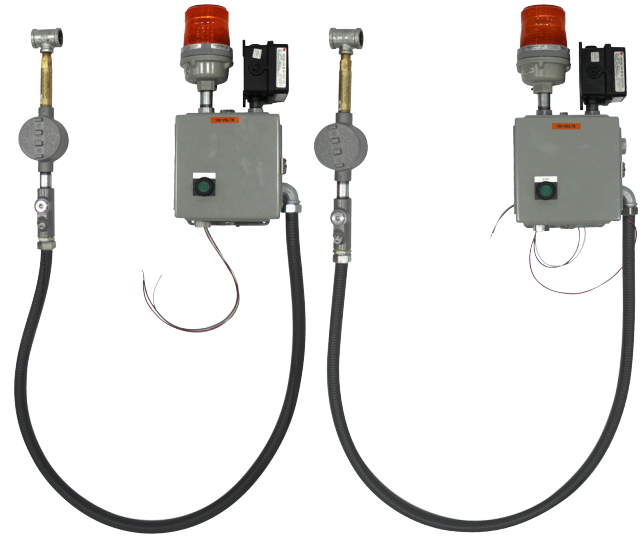
### STANDARDS:

- Class 1 Division 2, Groups B,C,D, T4, NEMA4
- Installation of this unit shall be in compliance with all (NEC) National Electric Code, and any other applicable state or local codes

### WARRANTY:

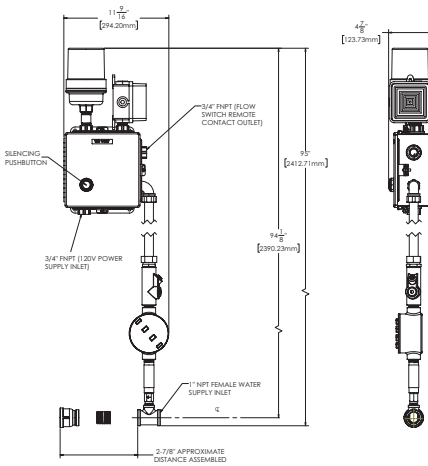
Visit [www.speakman.com](http://www.speakman.com) for full product warranty information

- 3 Year Limited Warranty (commercial)

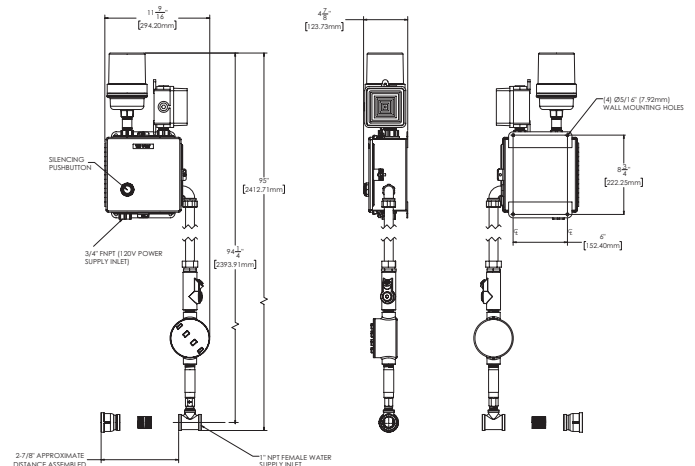


ALM3-C1D2

ALM3-C1D2-DPDT



ALM3-C1D2



ALM3-C1D2-DPDT

All dimensions are in inches (millimeters) unless otherwise specified and are subject to change without notice.

Architect/Engineer Approval Space:

P: 800-537-2107  
 F: 800-977-2747  
 W: WWW.SPEAKMAN.COM  
 R: 02-NOVEMBER 2019