

**CODE NUMBER**

12001001

**DESCRIPTION**

SU-1200 Urinal and ROYAL 186 Flushometer.

**COMPONENTS**

- Flushometer: Code 3912633
- Urinal: Code 1101200

**DETAILS**

- Flush Volume: 0.125 gpf (0.5 Lpf)
- Nominal Dimensions: 14 ½" x 20 ¾" x 25 ¼" (368 x 527 x 641mm)

**FLUSHOMETER FEATURES**

- PERMEX® Synthetic Rubber Diaphragm with Dual Filtered Fixed Bypass
- Sweat Solder Adapter with Cover Tube & Cast Wall Flange with Set Screw
- Non-Hold-Open Handle, Fixed Metering Bypass and No External Volume Adjustment to Ensure Water Conservation
- Diaphragm, Handle Packing and Vacuum Breaker to be molded from PERMEX® Rubber Compound for Chloramine Resistance
- ADA Compliant Metal Oscillating Non-Hold-Open Handle
- ¾" I.P.S. Screwdriver Bak-Chek® Angle Stop w/ Free Spinning Vandal Resistant Stop Cap

**FIXTURE FEATURES**

- Wall hung vitreous top spud china
- Large footprint to cover old caulk lines
- Washdown flushing action
- ¾" I.P.S. top spud inlet
- 2" NPT outlet flange
- All mounting hardware included
- Integral flushing rim
- 100% factory flush tested
- Carrier not included



**COMPLIANCES & CERTIFICATIONS**



(ADA Compliant, cUPC Green Certified, WaterSense Listed, BAA Compliant, CEC Compliant, CalGreen Compliant, Satisfies LEED Credits, HPD, EPD)

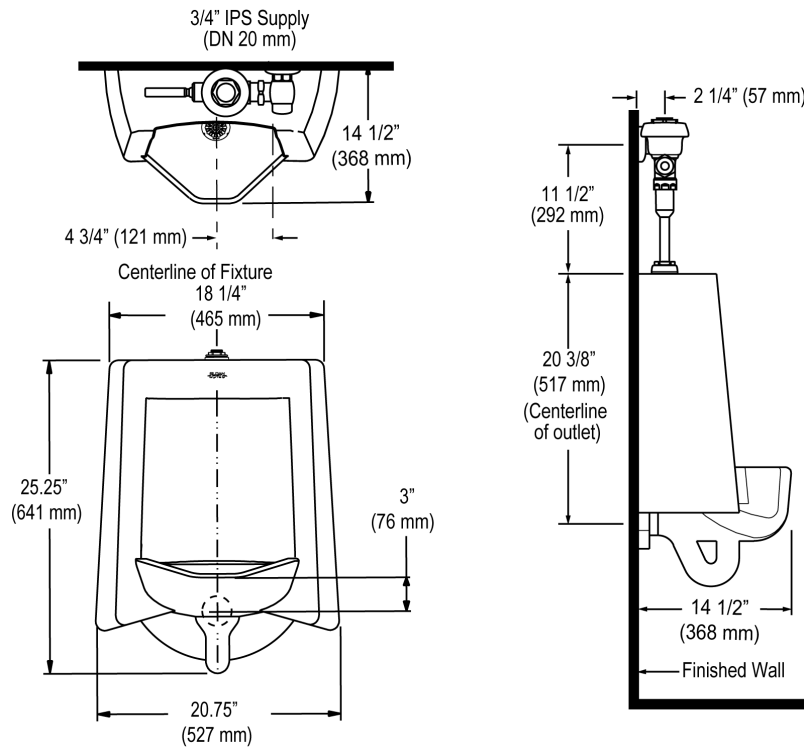
**DOWNLOADS**

- [Retrofit Urinal Installation Instructions](#)
- [SS/ST/SU/WETS/WEUS Fixtures Repair and Maintenance Guide](#)
- [Additional Downloads](#)

**NOTES**

All information contained within this document subject to change without notice.

**ROUGH-IN**



**Sloan 10500 Seymour Ave, Franklin Park, IL 60131**

Phone: 800.982.5839 • Fax: 800.447.8329 • [sloan.com](http://sloan.com)