

Features

- Carved beveled drawer detail
- Tapered leg design
- Top drawer is false front
- Middle drawer is plumbing drawer
- Bottom drawer is full drawer

Materials & Construction

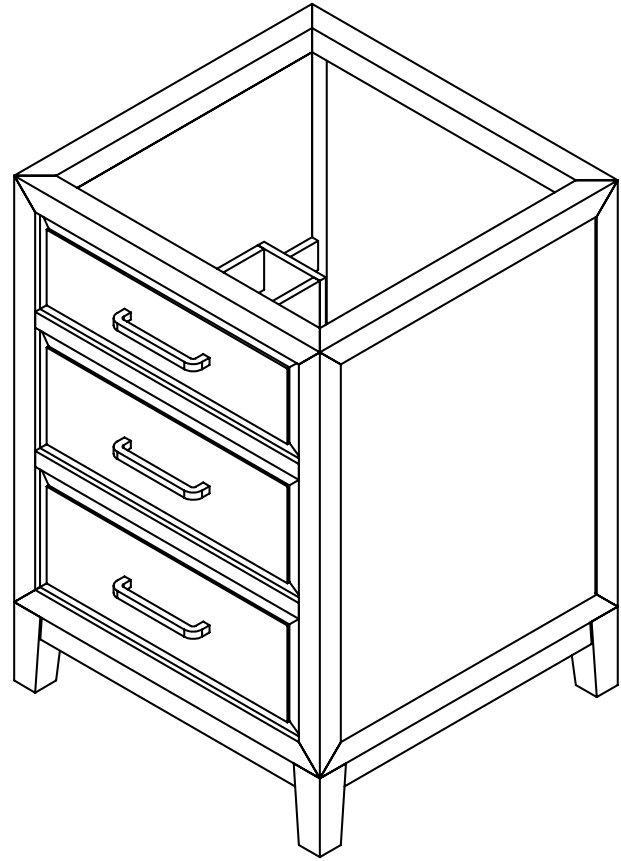
- Solid wood and veneer construction
- Full plywood back panel, no cutout
- Dovetailed drawers
- Pre-installed solid stainless steel hardware
- Blum undermount full extension slow close slides
- Durable, moisture resistant polyurethane finish
- Adjustable leveling feet

Options

- Available in:
 CVCH2420369, Light Gray Oak paired with Brushed Pewter
 CVCH2421068, Weathered Oak Drift paired with Iron Black
- Coordinating engineered stone tops:
 TA24UCO93-8CS1
 TA24UCO95-8CS1
 TA24UCO96-8CS1
 TA24UCO97-8CS1
 TA24UCO98-8CS1
 TA24UCO99-8CS1
 TA24UCO100-8CS1
 TA24UCO101-8CS1
- Coordinating mirrors available

Dimensions

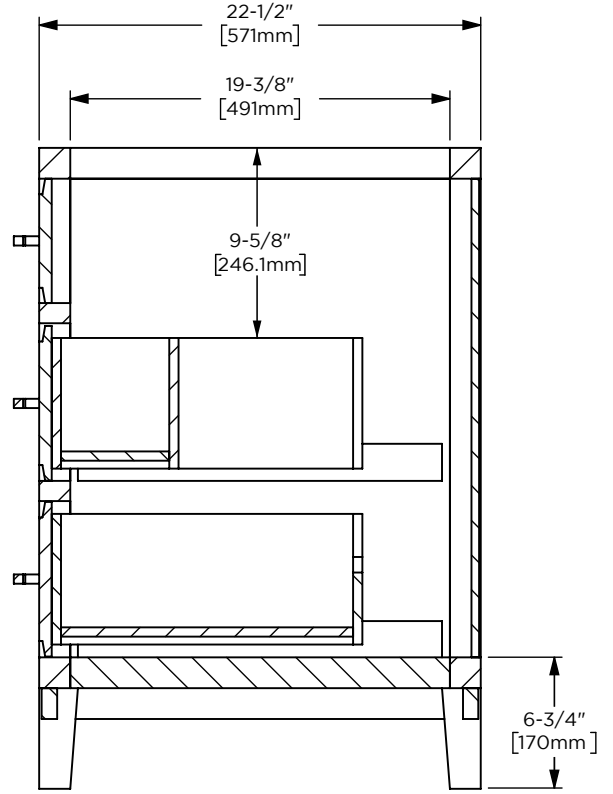
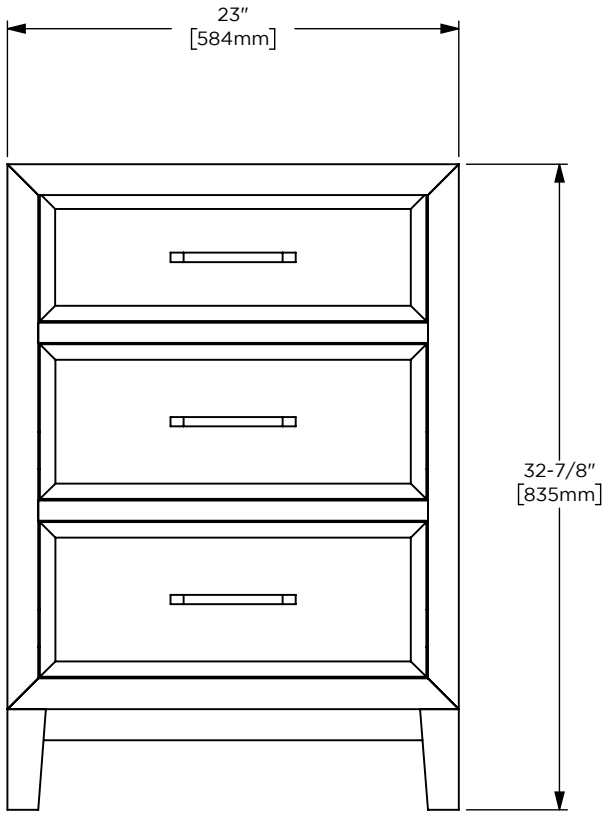
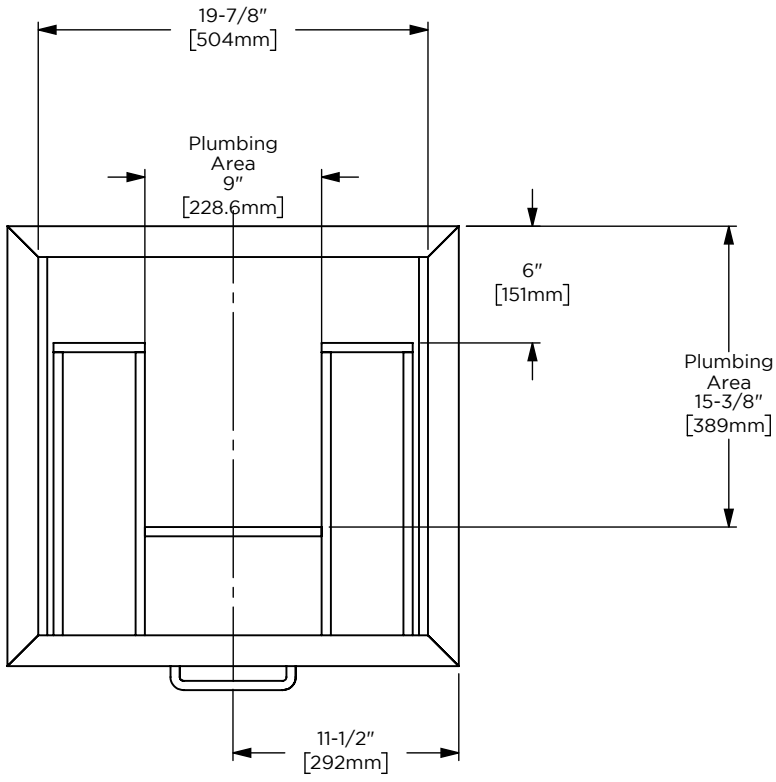
Width: 23"
 Height: 32-7/8"
 Depth: 22-1/2"



Model Number Key

PRODUCT LINE	CATEGORY	COLLECTION	WIDTH	FINISH OPTIONS	OPTIONS
C = Craft Series	V = Vanity	CH = Chestnut	24"	(See above)	(See above)

Chestnut Hill 24" Vanity CVCH24



Internal
Construction