



ENGINEERING EXCELLENCE

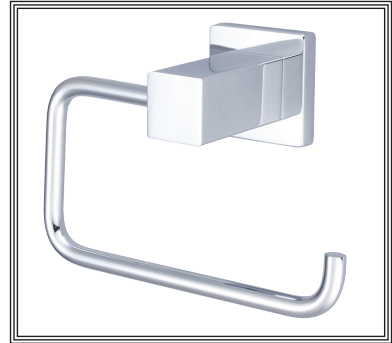
Mod Series #7MO032 SPECIFICATION SHEET

DESCRIPTION

- Toilet Tissue Holder
- Concealed Screw Installation
- Mounting Hardware

FINISHES

- PC Polished Chrome
- BN PVD Brushed Nickel



#7MO032 SHOWN

Model #: _____

Specific Features: _____

Project Name: _____

Submitted For: _____

Model	Description	Finishes	
#7MO032	Toilet Tissue Holder	<input type="radio"/> PC	<input type="radio"/> Other___



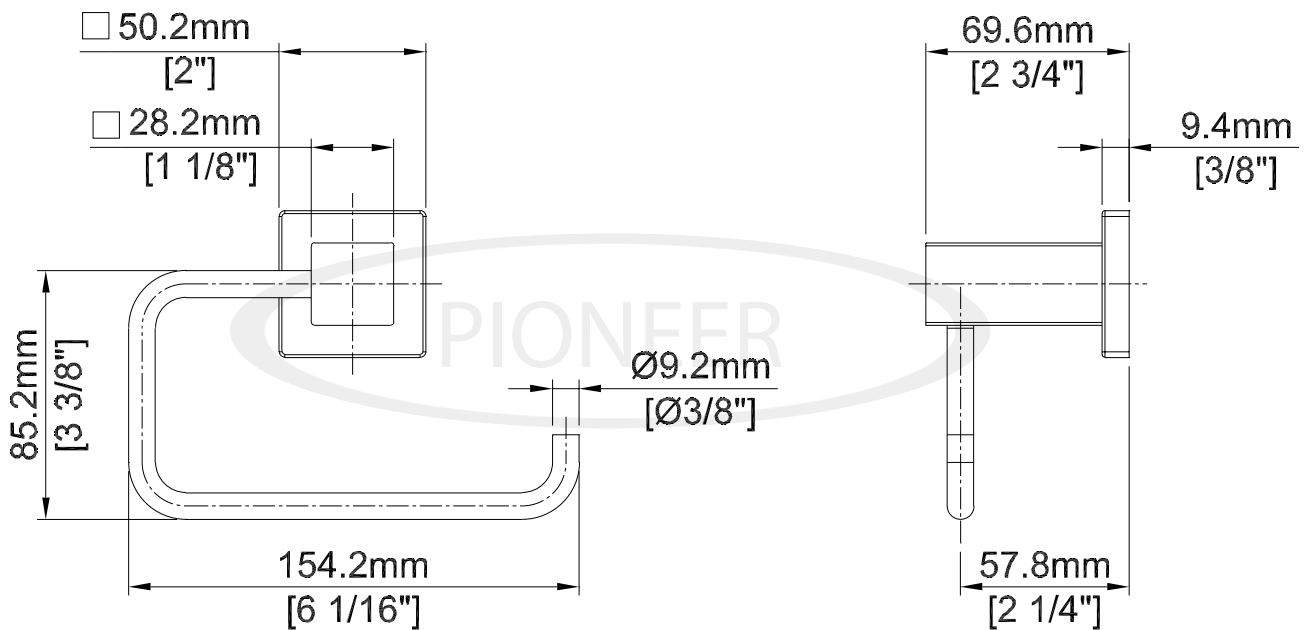
ENGINEERING EXCELLENCE

Pioneer:1-800-338-9468
 Commerce, CA 90040
 www.pioneerind.com
 Pioneer Industries, Inc. © 2015

DMSP7MO032/REV. 09 2015
 Page 1 of 2

Installation Note:

Please refer to the Installation Guide for complete installation instructions



Product Diagram



ENGINEERING EXCELLENCE

Pioneer: 1-800-338-9468
 Commerce, CA 90040
 www.pioneerind.com
 Pioneer Industries, Inc. © 2015