



ENGINEERING EXCELLENCE

Motegi Series #2MT250

SPECIFICATION SHEET

DESCRIPTION

- Single Handle Pull Down Kitchen Faucet
- Metal Lever Handle
- Pull-Down Head with 2 Spray Patterns Swivel 360°
- 8-9/16" Reach, 10-1/16" from Deck to Aerator
- Ceramic Disc Cartridge
- 1 or 3 Hole 8" Installation
- Easy-Install 30" Flex Supply Lines With 3/8" Connections
- Quick Connect Spray Head Hose and Weight, Easy-install mounting nut

FINISHES

- PC Polished Chrome
- BN PVD Brushed Nickel
- SS PVD Stainless Steel

FLOW

- Pull-Down Sprayhead Limited to 1.8 GPM



#2MT250 SHOWN * ADA 

Model #: _____

Specific Features: _____

Project Name: _____

Submitted For: _____

STANDARDS APPLICABLE

- ASME A112.18.1
- ANSI A117.1
- ANSI / NSF 61, SECTION 9
- CUPC / IAPMO LISTED / ADA COMPLIANT
- CONTAINS NO MORE THAN 0.25% WEIGHTED AVERAGE LEAD CONTENT

Model	Description	Finishes	
#2MT250	Single Handle Pull Down Kitchen Faucet	<input type="checkbox"/> PC	<input type="checkbox"/> Other____
#2MT251	Single Handle Pull Down Kitchen Faucet-1 Hole Installation	<input type="checkbox"/> PC	<input type="checkbox"/> Other____



ENGINEERING EXCELLENCE

Pioneer: 1-800-338-9468
Commerce, CA 90040
www.pioneerind.com

Pioneer Industries, Inc. © 2018

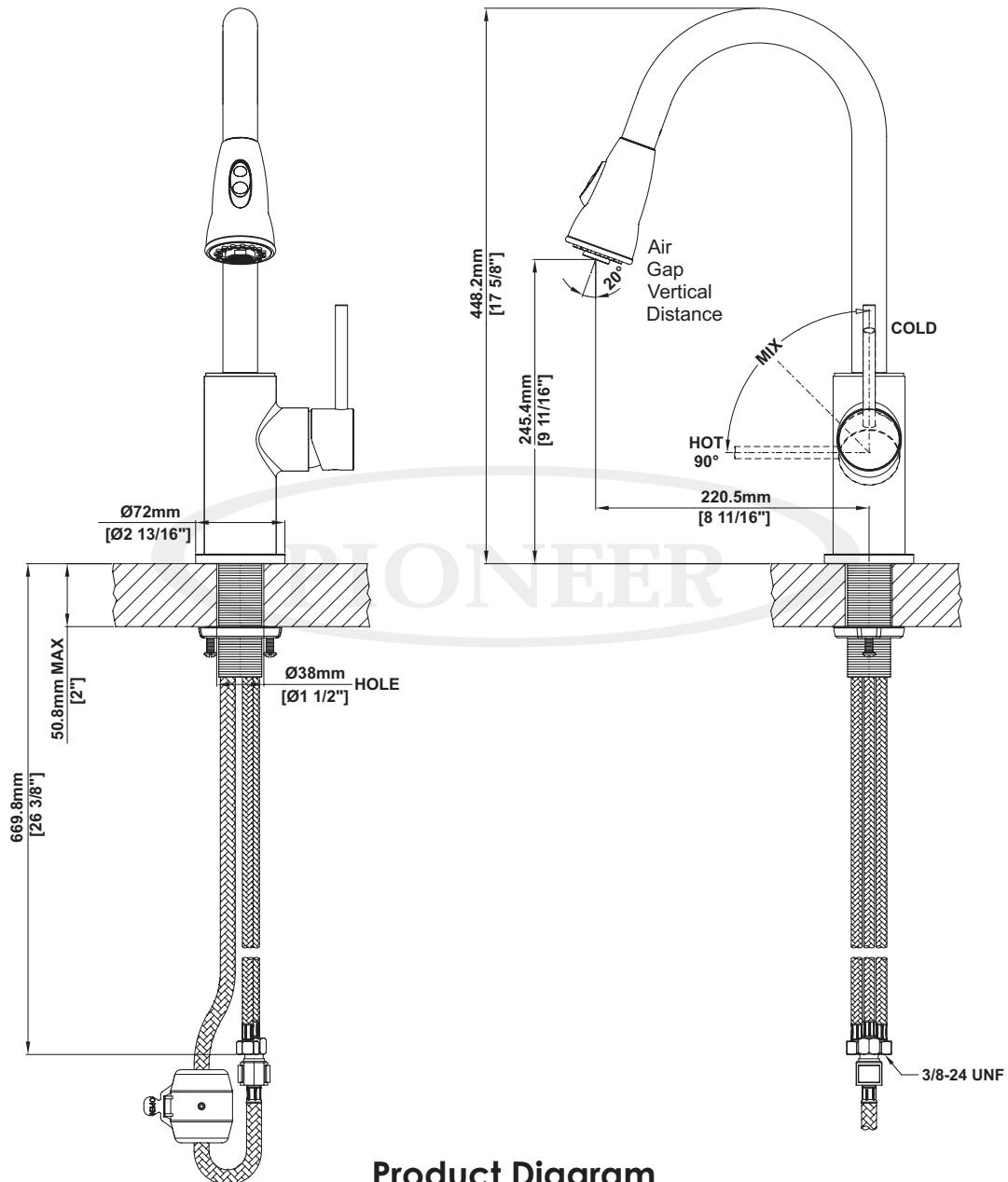
DMSP2MT250/REV. 06 2018

Page 1 of 2

Installation Note:

Faucet Hole Size:- 1-1/2"

Maximum Deck Thickness:- 1-5/8"



Product Diagram



ENGINEERING EXCELLENCE

Pioneer: 1-800-338-9468

Commerce, CA 90040

www.pioneerind.com

Pioneer Industries, Inc. © 2018