



# INSTALLATION

**PIONEER INDUSTRIES, INC.**  
3325 S. Garfield Ave.  
Commerce, CA 90040  
(800) 338-9468  
www.pioneerind.com

### Tools:



Adjustable Wrench



Plumbers Putty



Teflon Tape



Rags

## Model Number: 4MO610T, 4DM610T

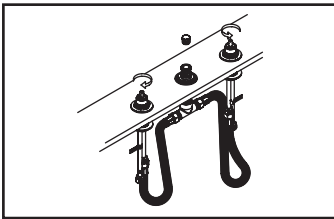


### Warnings and Notes:

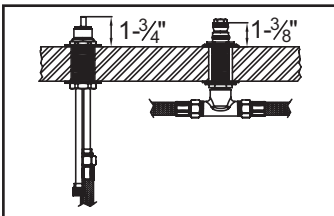
Check with local plumbing code requirements before installation.  
This product should be installed by a local listed plumber.  
**Do not use plumbers putty on threads.**

### Installation Steps:

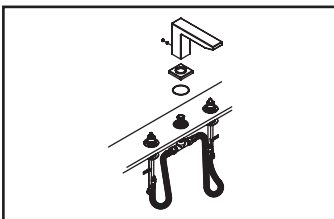
#### Two Handle Roman Tub Trim Set



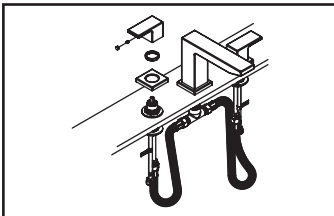
(1) Remove mud guards from spout shank and side valves. Remove test plug from the top of the spout shank.



(2) Confirm the height of spout shank and valves. 1-3/4" is required height from top of the valve to finished deck and 1-3/8" is required height from top of the spout shank to finished deck.



(3) Place spout escutcheon with gasket through spout shank, carefully slide the spout onto spout shank so the O-ring on spout shank won't get damage. Tighten spout Allen screw, do not overtighten. Place hole cover to the spout.

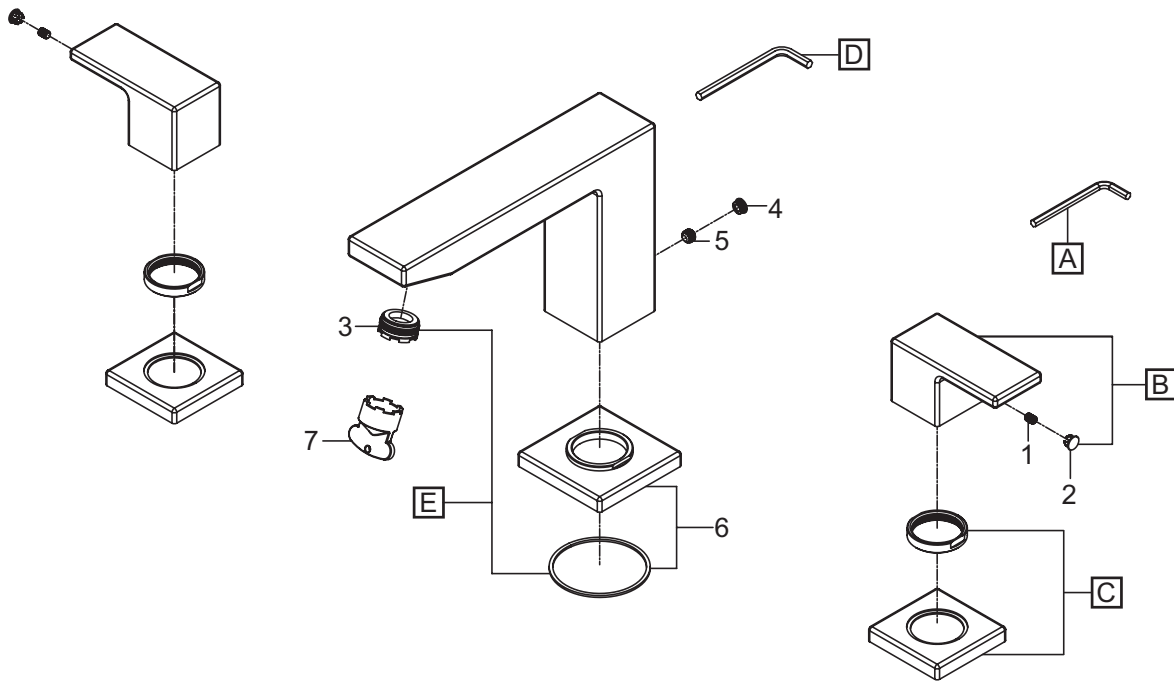


(4) Place valve escutcheons on both side valves. For model 4MO610T, thread sleeve onto valve to secure valve escutcheon. Ensure handles operate in correct direction, tighten Allen screws to secure handles. Remove flow streamer, turn on handles to run water for one minute and check for leaks. Turn off handles and replace flow streamer.

## Exploded Drawing : (For 4MO610T)

\* Note: Please specify finish/color when ordering.

	ITEM #	DESCRIPTION
A	X-4900024	3/32" Allen Wrench
B	X-1400044*	Lever Handle
C	X-4400108*	Valve Escutcheon & Sleeve
D	X-4400058	5/32" Allen Wrench
E	X-2400019*	Rigid Spout
1	X-4900002	Allen Screw
2	X-4900044*	Hole Cover
3	X-4400102	Flow Streamer
4	X-4400073*	Hole Cover
5	X-4400028	Allen Screw
6	X-4400109*	Spout Escutcheon & Gasket
7	X-4400071	Flow Streamer Removal Tool

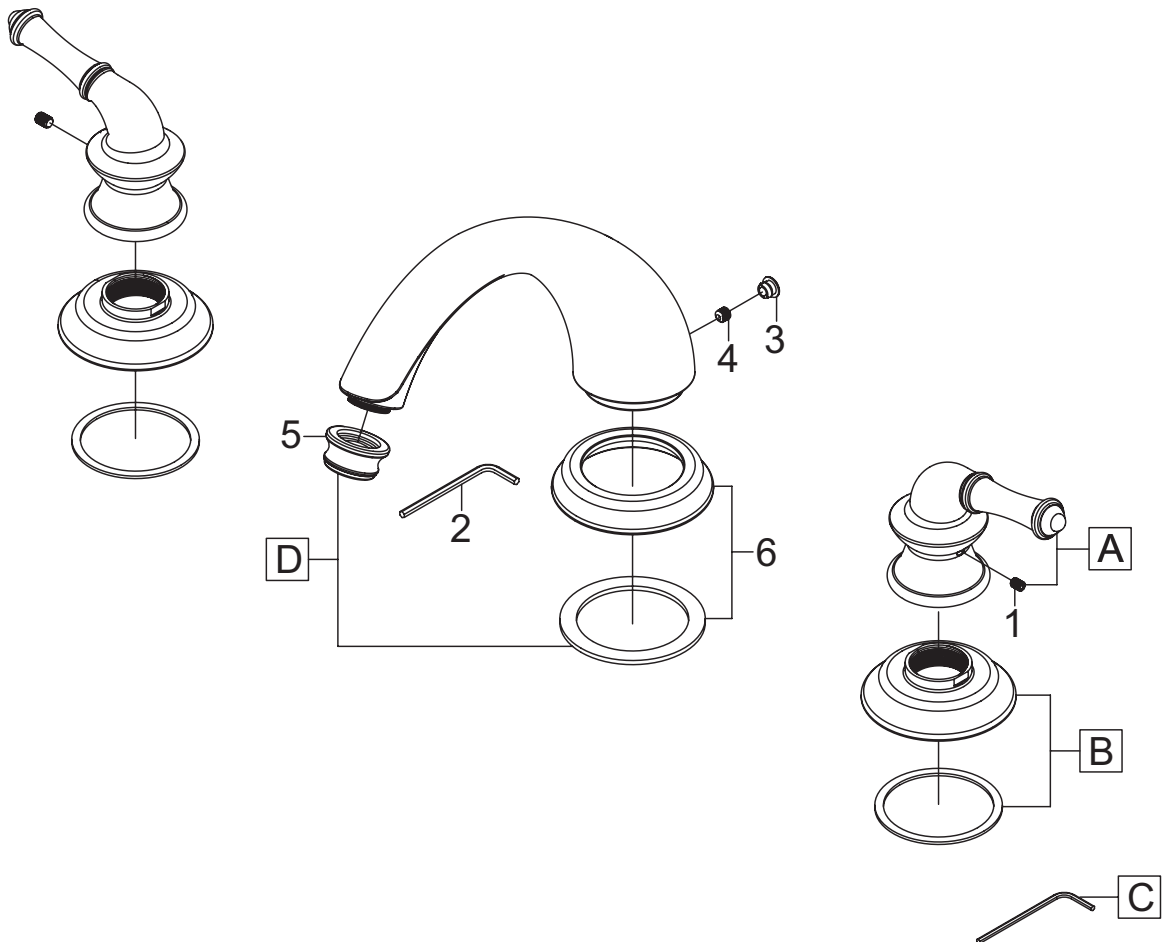


For more care information or trouble shooting inquiries about your Pioneer product, please call:  
**Pioneer Industries, Inc.** (800) 338-9468  
 Monday-Friday 8 AM to 8 PM EST (5 AM to 5 PM PST)  
[www.pioneerind.com](http://www.pioneerind.com)

# Exploded Drawing : (For 4DM610T)

\* Note: Please specify finish/color when ordering.

	ITEM #	DESCRIPTION
A	X-1400002*	Lever Handle
B	X-4400014*	Valve Escutcheon & Gasket
C	X-4900024	3/32" Allen Wrench
D	X-2400003*	'C' Spout
1	X-4900002	3/32" Allen Screw
2	X-4900026	1/8" Allen Wrench
3	X-4400017*	Hole Cover
4	X-4400018	1/8" Allen Screw
5	X-4400016*	Flow Streamer
6	X-4400015*	Spout Escutcheon & Gasket



For more care information or trouble shooting inquiries about your Pioneer product, please call:  
**Pioneer Industries, Inc.** (800) 338-9468  
 Monday-Friday 8 AM to 8 PM EST (5 AM to 5 PM PST)  
[www.pioneerind.com](http://www.pioneerind.com)