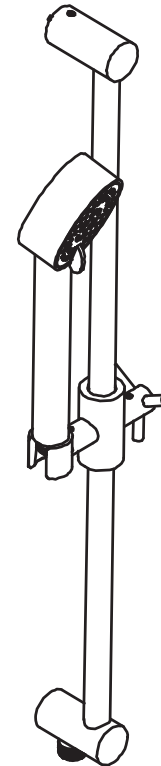


PHYLIRICH®

Defining Luxury Since 1959



INSTALLATION INSTRUCTIONS FOR **3-559** SLIDE BAR w/ HAND SHOWER OUTLET

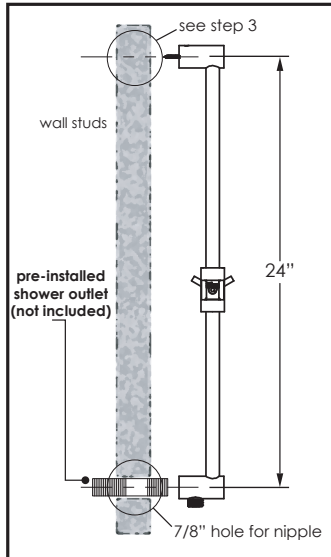
INSTALLATION INSTRUCTIONS FOR SLIDE BAR w/ HAND SHOWER OUTLET

PHYLIRICH®

Defining Luxury Since 1959

WE RECOMMEND THAT ALL PLUMBING PRODUCTS BE INSTALLED BY A LICENSED PROFESSIONAL

- **Preparing for installation:** Before the installation, know first the location of the slide bar in coordination of the pre-installed outlet.



■ STEP 1 SUPPLY ELBOW INSTALLATION

Once desired location has been determined, Drill a 7/8" hole for the nipple installation.

Have at least 1/2" nipple length from the wall to the hand shower outlet.

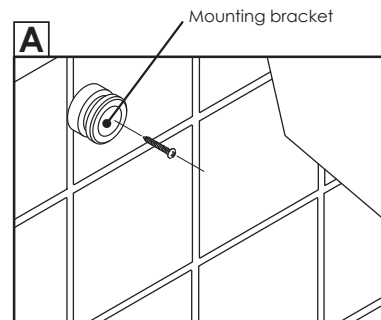
Attach shower outlet on to the nipple and make sure it is facing downwards.

■ STEP 2

Mark the mounting surface **24" center to center**. Drill one hole using a 3/16" drill bit (**for the mounting bracket**), if installing included plastic anchors. Use a 7/64" drill bit, if installing directly into a stud.

■ STEP 3

Place **mounting bracket** on the wall securing them with the supplied screw. (**Check image A**)



■ STEP 4

Place slide bar assembly into shower outlet, align mounting brackets & secure with the supplied set screws.

Install **Hose** onto the hand shower & the outlet

