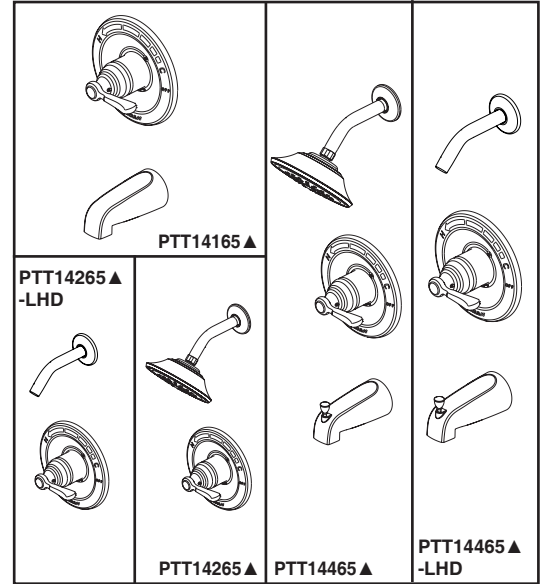
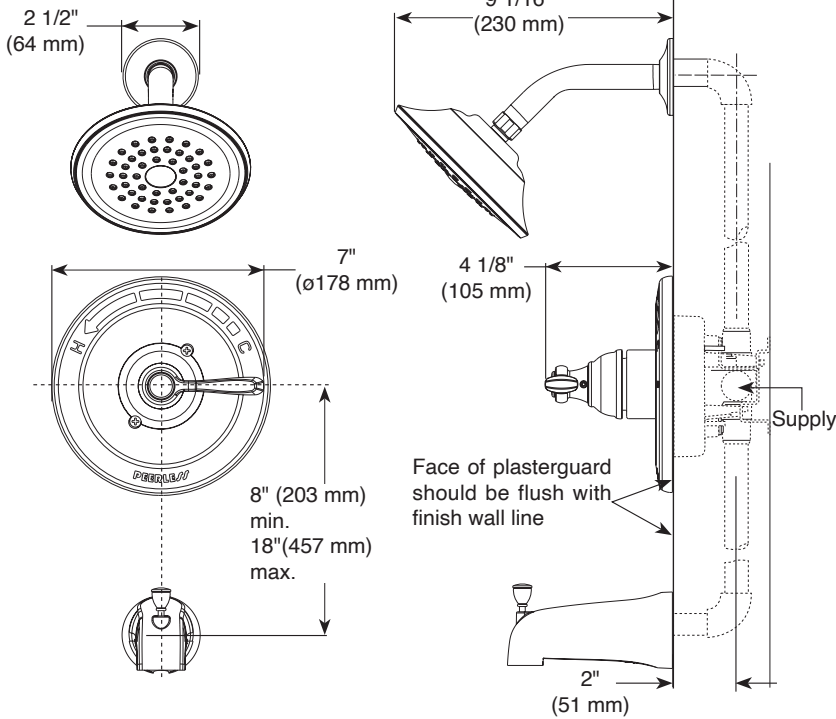


# PEERLESS®

PTT14165▲  
 PTT14265▲  
 PTT14265▲-LHD  
 PTT14465▲  
 PTT14465▲-LHD



## TUB AND SHOWER FAUCET TRIM

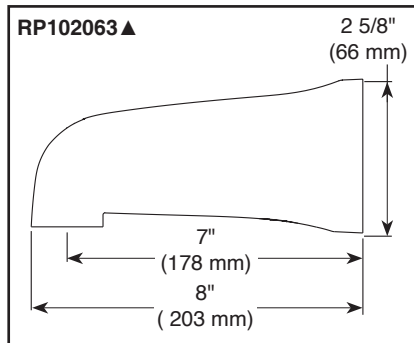
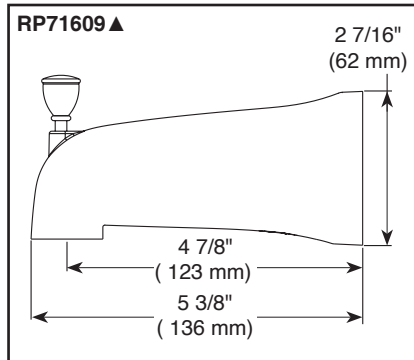
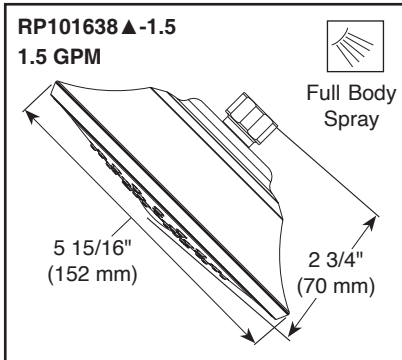
- Elmhurst™ Collection
- Tub Only (PTT14165▲)
- Shower Only (PTT14265▲ & PTT14265▲-LHD)
- Tub/Shower (PTT14465▲ & PTT14465▲-LHD)

## STANDARD SPECIFICATIONS:

- Shower head maximum flow rate 1.5 gpm @ 80 psi, 5.7 L/min @ 550 kPa.
- Maintains a balanced pressure of hot and cold water even when a valve is turned on or off elsewhere in the system.
- For use with MultiChoice® Universal rough valve body (R10000 Series); not included.
- Back-to-back installation capability.
- Temperature only controlled with handle rotating a maximum of 120° from full cold to the full hot.
- Cartridge utilise integral check valve to prevent the cross flow of water within the valve.
- Single setting shower head.
- Slip-on tub spout.

## WARRANTY:

- Parts and Finish - Lifetime limited warranty; or for commercial purchasers, 10 years for multi-family residential (apartments and condominiums) and 5 years for all other commercial uses, in each case from the date of purchase.



▲ Designate proper finish suffix



## COMPLIES WITH

- ASME A112.18.1 / CSA B125.1
  - EPA WaterSense® - Applies to PTT14265 & PTT14465 only
- ♿ Indicates compliance to ICC/ANSI A117.1 - Valve control only