



# ITEM # VREC19SKDB RECTANGLE SKIRTED VESSEL HAMMERED COPPER SINK

CODE/STANDARD COMPLIANCE

\* IAPMO/cUPC LISTED

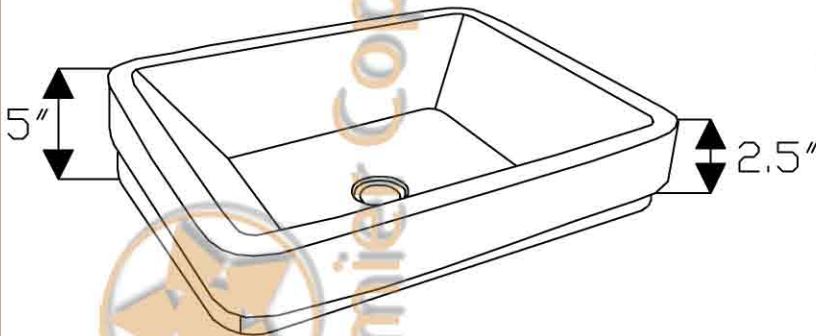
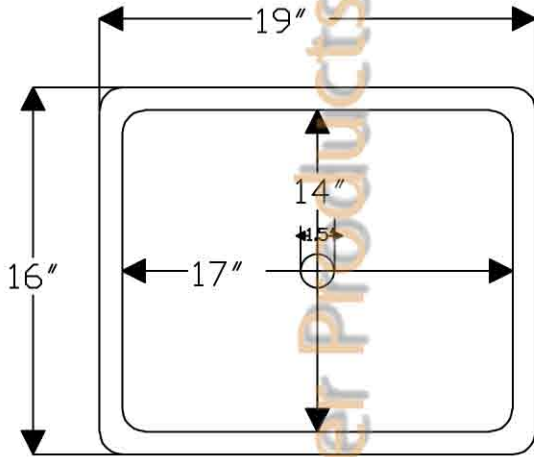


OUTER DIMENSIONS: 19"X16"X5"

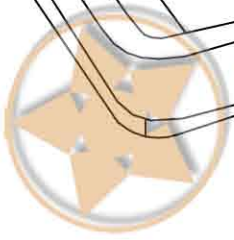
INNER DIMENSIONS: 17"X14"X2.5"

DRAIN SIZE: 1.5"

MATERIAL GAUGE: 17



Premier Copper Products



**IMPORTANT:** THIS PRODUCT IS HAND CRAFTED AND SMALL VARIANCES MAY OCCUR. DIMENSIONS MAY VARY UP TO 1/4". DO NOT MAKE ANY INSTALLATION CUTS UNTIL YOU RECEIVE YOUR SINK.