



PREMIER
COPPER PRODUCTS

CODE/STANDARD COMPLIANCE

* IAPMO/UPC LISTED

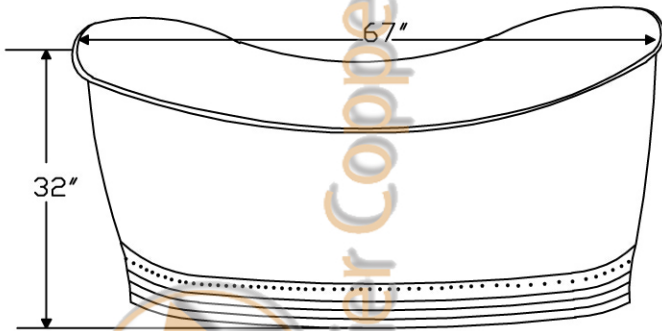
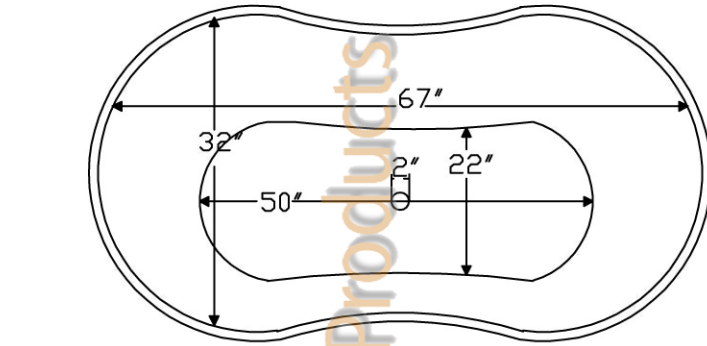


ITEM # BTD67DB 67" COPPER DOUBLE SLIPPER TUB

OUTER DIMENSIONS: 67"X32"X32"

DRAIN SIZE: 2" CENTER

MATERIAL GAUGE: 16



IMPORTANT: DUE TO THE HAND CRAFTED NATURE OF THIS PRODUCT, SMALL VARIANCES MAY OCCUR UP TO 1".
DO NOT MAKE ANY INSTALLATION CUTS UNTIL YOU RECEIVE YOUR TUB.