

Premier Copper Products

ITEM # BREC16DB GOURMET RECTANGULAR BAR/PREP SINK

CODE/STANDARD COMPLIANCE

* IAPMO/cUPC LISTED

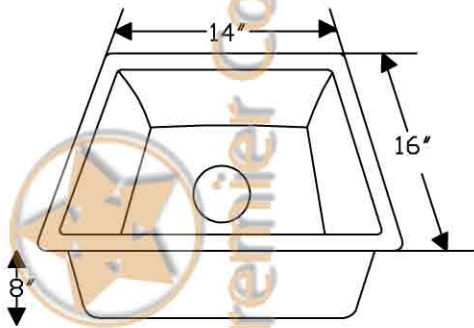
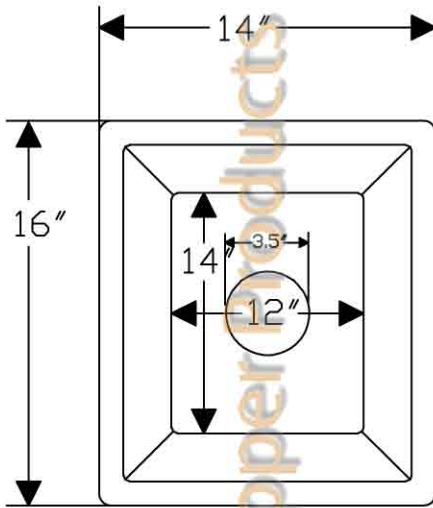


OUTER DIMENSIONS: 16"X14"X8"

INNER DIMENSIONS: 14"X12"X8"

DRAIN SIZE: 3.5" STANDARD

MATERIAL GAUGE: 16



IMPORTANT: THIS PRODUCT IS HAND CRAFTED AND SMALL VARIANCES MAY OCCUR. DIMENSIONS MAY VARY UP TO 1/4". DO NOT MAKE ANY INSTALLATION CUTS UNTIL YOU RECEIVE YOUR SINK.