

WATER COOLER MODELS
OASIS® P3CP, P3CPH, P5CP, P10CP
SUNROC CSFD3, CSFD5, CSFD10
INSTRUCTIONS

1. INSPECTION

Inspect the carton and water cooler for evidence of rough handling and concealed damage. Damage claims should be filed with the carrier.

2. MAINTENANCE

The only maintenance operation required is the removal of dirt and lint from the condenser. Inspection should be made at 3 month intervals. Disconnect the power supply cord, then clean the condenser with a small stiff non-wire brush when required. Observance of this procedure will insure adequate air circulation through the condenser so operation is efficient and economical.

3. OVERLOAD PROTECTION

The compressor motor is equipped with an automatic reset protector which will disconnect the motor from the line in case of an overload.

4. LUBRICATION

This unit is equipped with a hermetically sealed compressor and requires no additional lubrication. The fan motor on this unit seldom needs oiling, but if required, a few drops of SAE 10 oil should be used.

5. TO PUT WATER COOLER INTO SERVICE

- a) **Note:** The following states require a licensed plumber to install cooler; AR, GA, MA, MI, OK, RI, SC, SD, TX, VT and WI.
- b) CA, KS, MN, NM and OR allow for a state-registered installer or contractor as well. State and local plumbing codes may prohibit the use of saddle tapping valves for water line connection in some applications. All connections must conform to applicable plumbing codes.
- c) The water cooler should be located a minimum of 4 inches from the wall to assure adequate condenser air circulation.
- d) Install a waste trap in the drain line and a shut-off valve in the water supply line. The drain connection tailpiece and the water supply tube are identified and located on the Roughing-In drawing shown on the reverse side of this sheet.
- e) Filter units have additional instructions on a label inside the access panel. Read these before installing unit. To fill the cold water tank, open the shut-off and bubbler valve. Deflect stream from bubbler and run water until stream is free of bubbles.
- f) On hot and cold model, fill the water heating tank by drawing water from the hot water faucet or dispenser until the stream is free of bubbles.
- g) Check the available power supply against the water cooler data plate to assure correct electrical service. Plug power supply cord into receptacle. (Connect electrical supply to explosion proof model in accord with local and National Electrical Code for the class and group requirements of the specific hazardous location).
- h) If a hot and cold model, make certain the hot water tank contains water, then press the hot water tank heater switch to the "ON" position. DANGER: WATER DISPENSED FROM HOT FAUCET CAN SCALD.

6. TO DISCONTINUE USE OF WATER COOLER

- a) Disconnect the power supply cord.
- b) Close the water shut-off valve.
- c) On hot and cold model, press the hot water heater switch to the "OFF" position.
- d) Provide container to catch water and remove drain plug(s) from tank(s).
- e) Remove or open bubbler valve and, if any, the glassfiller and hot valve. Replace plug(s) when draining is complete.
- f) ALWAYS DRAIN ALL WATER WHEN FREEZING TEMPERATURES ARE ANTICIPATED AND BEFORE SHIPPING THE WATER COOLER.

WARNING

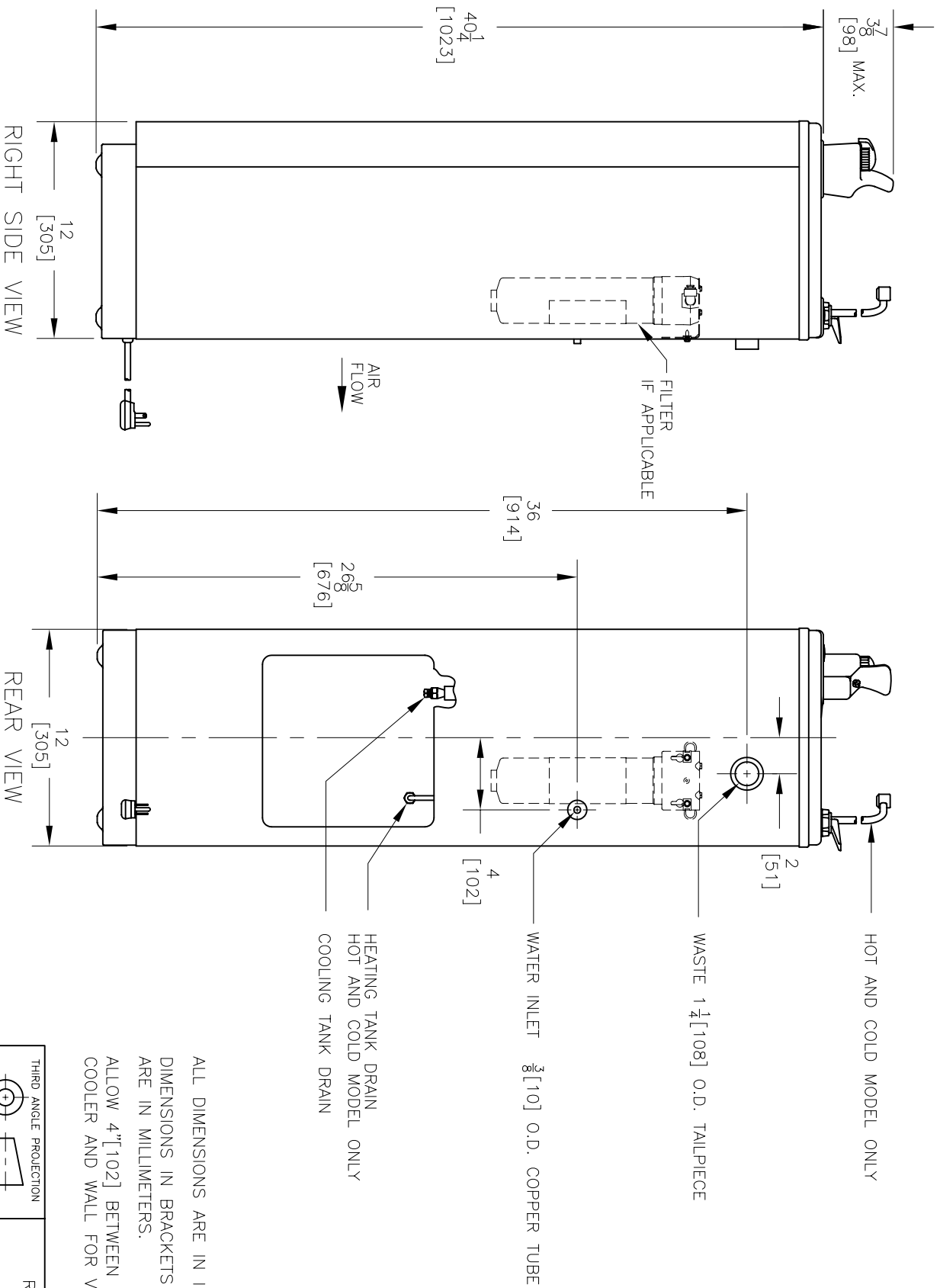
The warranty and the Underwriters' Laboratory listing for this machine are automatically voided if this machine is altered, modified, or combined with any other machine or device. Alteration or modification of this machine may cause serious flooding and/or hazardous electrical shock or fire.

EXCEPT AS SET FORTH HEREIN, THE MANUFACTURER MAKES NO OTHER WARRANTY, GUARANTEE OR AGREEMENT EXPRESSED, IMPLIED OR STATUTORY, INCLUDING ANY IMPLIED WARRANTY OR MERCHANTABILITY OR FITNESS FOR A PARTICULAR PURPOSE.



222 East Campus View Blvd. • Columbus, OH 43235 U.S.A.
1-800-950-3226
www.oasiscoolers.com

WATER COOLER MODELS
OASIS® P3CP, P3CPH, P5CP, P10CP
SUNROC CSFD3, CSFD5, CSFD10



ALL DIMENSIONS ARE IN INCHES.
 DIMENSIONS IN BRACKETS []
 ARE IN MILLIMETERS.
 ALLOW 4" [102] BETWEEN REAR OF WATER
 COOLER AND WALL FOR VENTILATION.

<p>THIRD ANGLE PROJECTION</p>	<p>ROUGHING--IN AND DIMENSIONAL DRAWING</p>
-------------------------------	--



**COMPACT FLOOR STANDING
WATER COOLER**

P3CP

Suggested Specification

Pressure drinking water cooler shall deliver at least 3 gph of water at 50°F (10°C) cooled from 80°F (26.7°C) inlet water at 90°F (32.2°C) ambient. Bubbler shall have flexible guard, have a non-squirt feature and a lever handle shall activate water flow. Bubbler shall provide smooth steady water flow by means of integral regulator that operates from 20 to 120 PSI supply pressure. Evaporator shall be high efficiency tank type and shall be encapsulated in insulation. R-134a refrigeration system shall be hermetically sealed and refrigerant flow shall be capillary tube controlled. An adjustable thermostat having an off position shall control refrigeration system. Stainless steel top shall have an integral drain strainer. Exterior panels shall be powder coated galvanized steel (standard finish) or stainless steel (optional finish). Potable water system components shall comply with the Safe Drinking Water Act Amendments, the 1988 Lead Contamination Control Act and shall be Certified to NSF/ANSI 61, Section 9. Cooler shall be Listed by Underwriters' Laboratories Inc. to U.S. and Canadian safety standards.

Model

P3CP delivers 3 gph of chilled drinking water

Standard Features

- > Waterways are Lead-Free in Materials and Construction
- > Bubbler with activation lever
- > Stainless steel top
- > Heavy-gauge steel cabinet with separate galvanized steel base
- > High-efficiency cooling tank and coil.
- > Refrigerant R-134a
- > Limited 5-Year Warranty

Finishes

- > Standard Cabinet Finish: Sandstone powder coated paint on galvanized steel
- > Optional finishes at additional cost: Stainless Steel and optional powder coated finishes.

Installation

- > Prior to roughing-in, consult local, state and federal codes
- > Shipped with complete instructions

Options

- Push Handle glass filler 029603-004
- Push Back glass filler 029603-005
- Push Down glass filler 029603-006
- 031505-001 is required for glass filler field install

Limited 5-Year Warranty (Continental limits of the United States and Canada): Five years on the sealed refrigeration system and most components parts. Detailed warranty certificate enclosed with each water cooler; sample copy available upon request.

Export Warranty: One year on sealed refrigeration system and most parts. Detailed warranty certificate enclosed with each water cooler; sample copy available upon request.

Product Certified to NSF/ANSI Standard 61, Annex G (weighted average lead content of <=0.25%) and is in compliance with California's Health & Safety Code Section 116875 (commonly known as AB1953).

Models covered by this specification comply with all known Plumbing Codes. Listed by Underwriters' Laboratories to U.S. and Canadian standards and European Union Directives.

Components in this cooler are lead free as defined by the Safe Drinking Water Act Amendments of 1986, and the Lead Contamination Control Act of 1988.



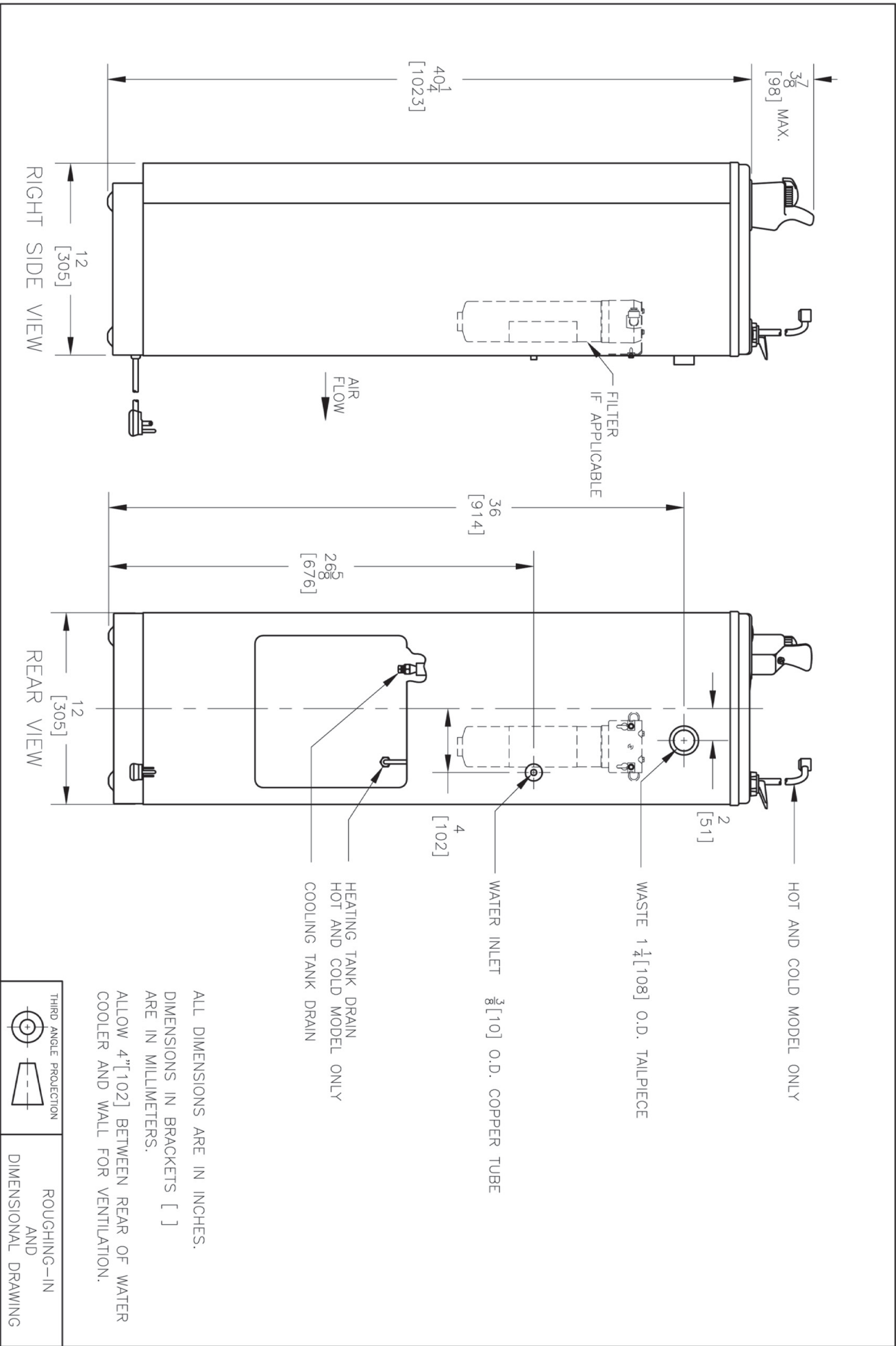
Model	50° F Drinking Water 90° F Ambient Air Temp*			Hot 'N Cold™ Model	115 Volts, 60 HZ			Glass Filler Acc. Option	Cabinet Color Finish	Net Wt. Approx.
	Rated Capacity GPH	Base Rate GPH	Pre-Cooler		Compr. HP	Full Load Amps	Rated Watts			
P3CP**	3.0	3.0	No	No	1/8	2.2	170	Yes	Yes	66 Lbs.

Specifications subject to change without notice

* Industry Standard Rating Condition 80°F inlet water temperature.

** Special export models available, operable on 220-240 volts, 50/60 Hertz. cULus certification not applicable.

OASIS™ FREE-STANDING WATER COOLER MODEL P3CP



ALL DIMENSIONS ARE IN INCHES. DIMENSIONS IN BRACKETS [] ARE IN MILLIMETERS. ALLOW 4" [102] BETWEEN REAR OF WATER COOLER AND WALL FOR VENTILATION.