



Two Handle Lavatory Faucet

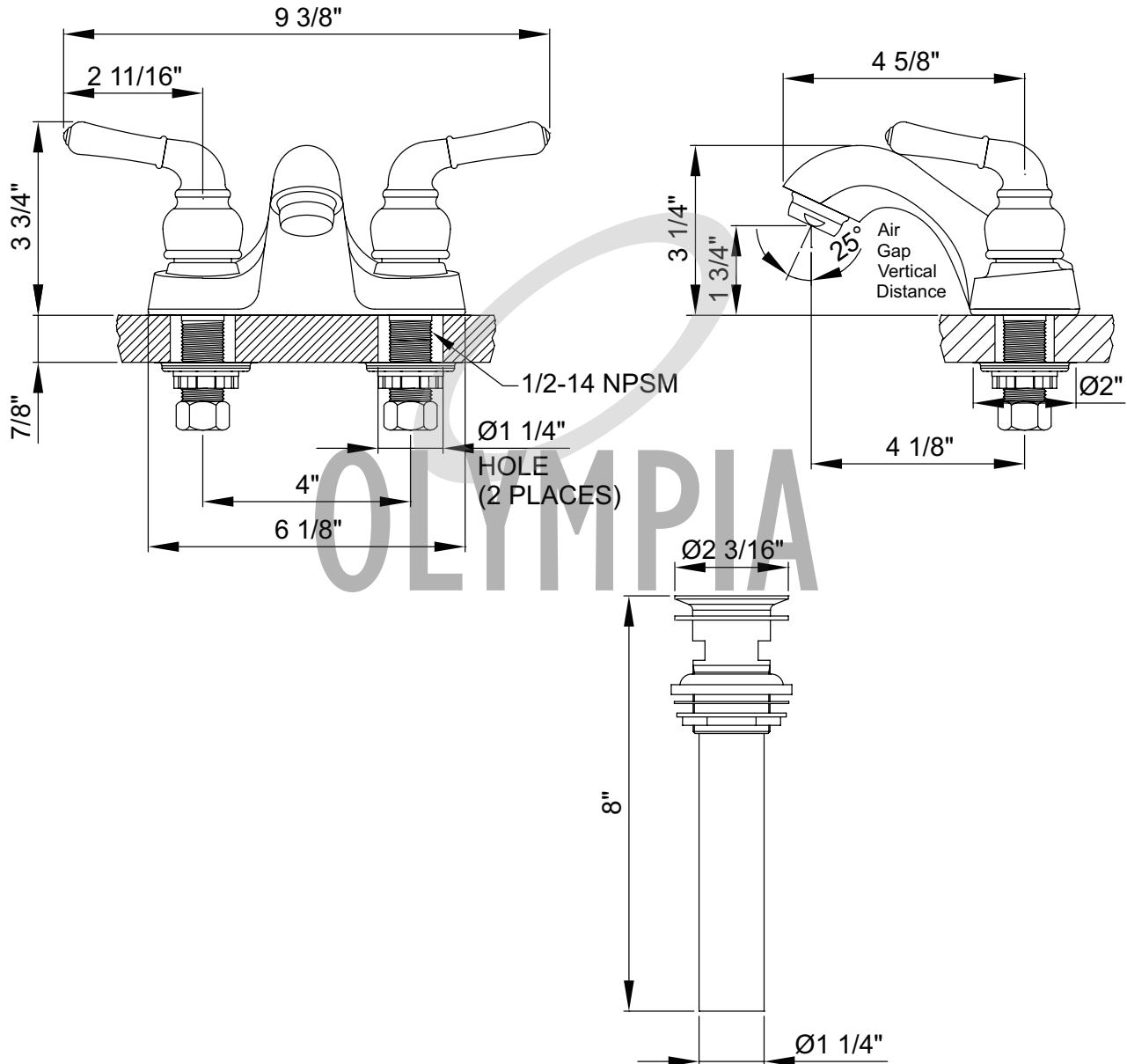
- Lever Handles
- 4-1/8" Reach, 1-3/4" From Deck to Aerator
- Washerless Cartridge Operation
- 3-Hole 4" Installation
- 50/50 Push Down Drain With Overflow
- With 1.2 GPM Flow Rate

Code and Standards

- ADA: Compliance to ICC/ANSI A117.1 (Lever Handle Only)



*For other finishes and flow rates offered, please visit our website, email an inquiry to sales@pioneerind.com or contact our sales at 800-338-9468



50/50 Touch Down Drain