



**OLYMPIA FAUCETS, INC.**  
 3325 S. Garfield Ave.  
 Commerce, CA 90040  
 (888) 772-7701  
 www.olympiafaucets.com

# INSTALLATION

## Tools:



Power Drill



Silicone Sealant



Teflon Tape



Rags



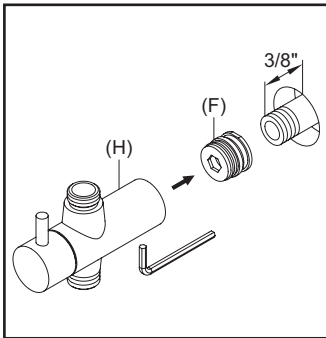
## Model Number: P-4550

### Warnings and Notes:

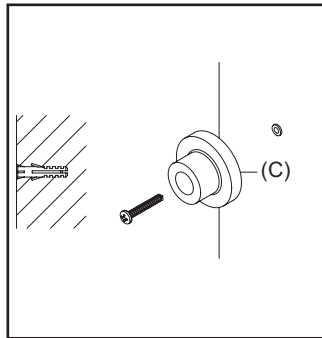
Check with local plumbing code requirements before installation.  
 This product should be installed by a local listed plumber.  
**Do not use plumbers putty on threads.**

### Installation Steps:

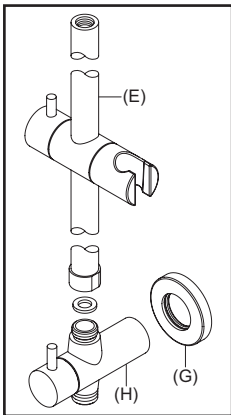
#### Handheld Shower Set



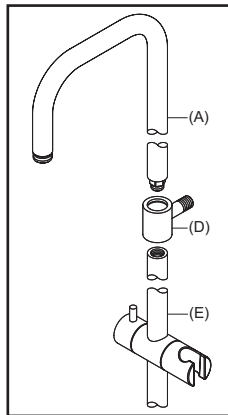
(1) Make sure the inlet is 1/2" pipe nipple and must protrude 3/8" from the finished wall.  
 \*Note: Inlet Adapter (F) is preinstalled inside of Diverter Body (H).  
 • Loosen the set screw underneath the Diverter Body (H), keep set screw nearby for later step.  
 • Use a tool such as Allen wrench to rotate and take out the Inlet Adapter (F) from behind.  
 • Apply Teflon tape onto 1/2" pipe nipple and secure the Inlet Adapter (F) to male 1/2" NPT pipe with Allen wrench.



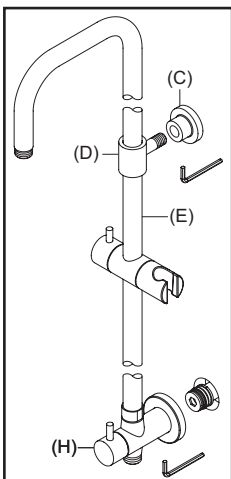
(2)  
 • Drill a 1/4" hole as shown in the drawing.  
 • Make sure the hole is 27-15/16" from the inlet hole, center to center.  
 • Using a hammer to tap a plastic anchor into the hole and flush with the wall.  
 • Secure the Mounting Flange (C) on the wall with the help of mounting screw.



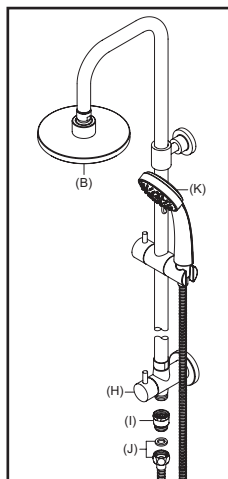
(3)  
 • Attach Slide Bar (E) to Diverter Body (H).  
 • Make sure a washer is included where Slide Bar (E) connects to Diverter Body (H).  
 • Insert Diverter Body Escutcheon (G) onto rear end of the Diverter Body (H).



(4)  
 • Attach Shower Arm (A) and Upper Mounting Bracket (D) to Slide Bar (E).  
 • Make sure the Shower Arm (A) is facing front and Upper Mounting Bracket (D) is pointing toward the wall.



(5)  
 • Simultaneously insert the Upper Mounting Bracket (D) into the secured Mounting Flange (C) from Step 2 and insert the Diverter Body (H) into the Inlet Adapter (F) from Step 1.  
 • Use provided Allen wrench to tighten both set screws from both parts to secure the assembly, but do not over tighten.  
 • Tighten the nut on the Slide Bar (E) to Diverter Body (H) if needed, but do not over tighten.

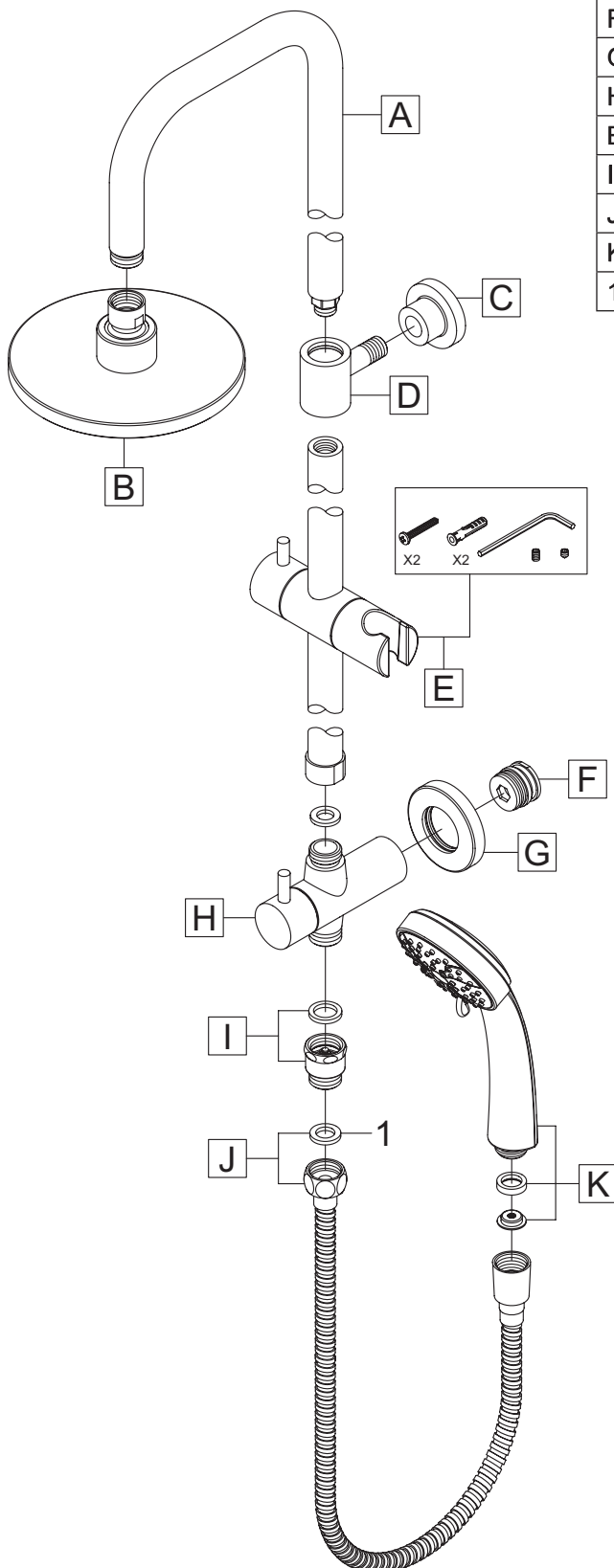


(6)  
 • Attach Vacuum Breaker (I) onto bottom outlet of the Diverter Body (H), then attach SST Hose (J) with washer onto Vacuum Breaker (I).  
 • Attach Shower Head (B) to outlet end of Shower Arm (A), but do not over tighten.  
 • Attach Handheld Showerhead (K) to outlet end of SST Hose (J) with washer and check valve.

# Exploded Drawing:

\* Note: Please specify finish/color when ordering.

|   | ITEM #     | DESCRIPTION                       |
|---|------------|-----------------------------------|
| A |            | Shower Arm                        |
| C |            | Mounting Flange                   |
| D |            | Upper Mounting Bracket            |
| E | OP-460031* | Slide Bar                         |
| F |            | Inlet Adapter                     |
| G |            | Diverter Body Escutcheon          |
| H |            | Diverter Body                     |
| B | OP-640047* | 1.75 GPM 6" Round Rain Showerhead |
| I | OP-460020* | Vacuum Breaker                    |
| J | OP-460027* | SST Hose                          |
| K | OP-660007* | 1.75 GPM Handheld Showerhead      |
| 1 | OP-460025  | Washer                            |



For more care information or trouble shooting inquiries about your Olympia product, Please call:  
**OLYMPIA FAUCETS, INC.** (888) 772-7701  
 Monday-Friday 8 AM to 8 PM EST (5 AM to 5 PM PST)  
[www.olympiafaucets.com](http://www.olympiafaucets.com)