

# EAST SQUARE

## Tub and Handshower Set **1400-4282**



### Features

- Solid brass construction
- Quarter-turn washerless ceramic disc valve cartridges
- 12.60" (32.0 cm) tub spout reach (wall-center)
- 3" x 3/4" (7,6 cm x 1,9 cm) handshower spray area
- For wall mounted configurations
- ADA Compliant (Handles Only)
- 1.8 GPM (6.8 LPM) Max, Handshower Only

### Codes / Standards Compliance

Meets or exceeds the following at date of manufacture:

- ASME A112.18.1/CSA B125.1
- IAMPO/cUPC
- IPC
- ADA & ICC/ANSI A117.1 (Handle Only)
- Energy Policy Act of 1992
- California Energy Commission
- ASME A112.18.3 (Back Flow)
- All applicable US Federal and State material regulations
- Other: This product is NOT watersense certified

### Colors / Finishes

- 10B: Oil Rubbed Bronze
- 15: Polished Nickel
- 15S: Satin Nickel - PVD
- 26: Polished Chrome
- Other: Refer to the Newport Brass catalog for additional color/finish options.

### Specified Model

| Model     | Description                                 | Colors   Finishes           |                              |                             |                                |
|-----------|---|-----------------------------|------------------------------|-----------------------------|--------------------------------|
| 1400-4282 | Exposed Tub and Handshower Set (wall mount) | <input type="checkbox"/> 15 | <input type="checkbox"/> 15S | <input type="checkbox"/> 26 | <input type="checkbox"/> Other |

### Required Accessory:

|                    |                                |
|--------------------|--------------------------------|
| <b>Model</b>       | <input type="checkbox"/> 1-483 |
| <b>Description</b> | Wall Mounting Nipple Kit       |
| <b>Image</b>       |                                |

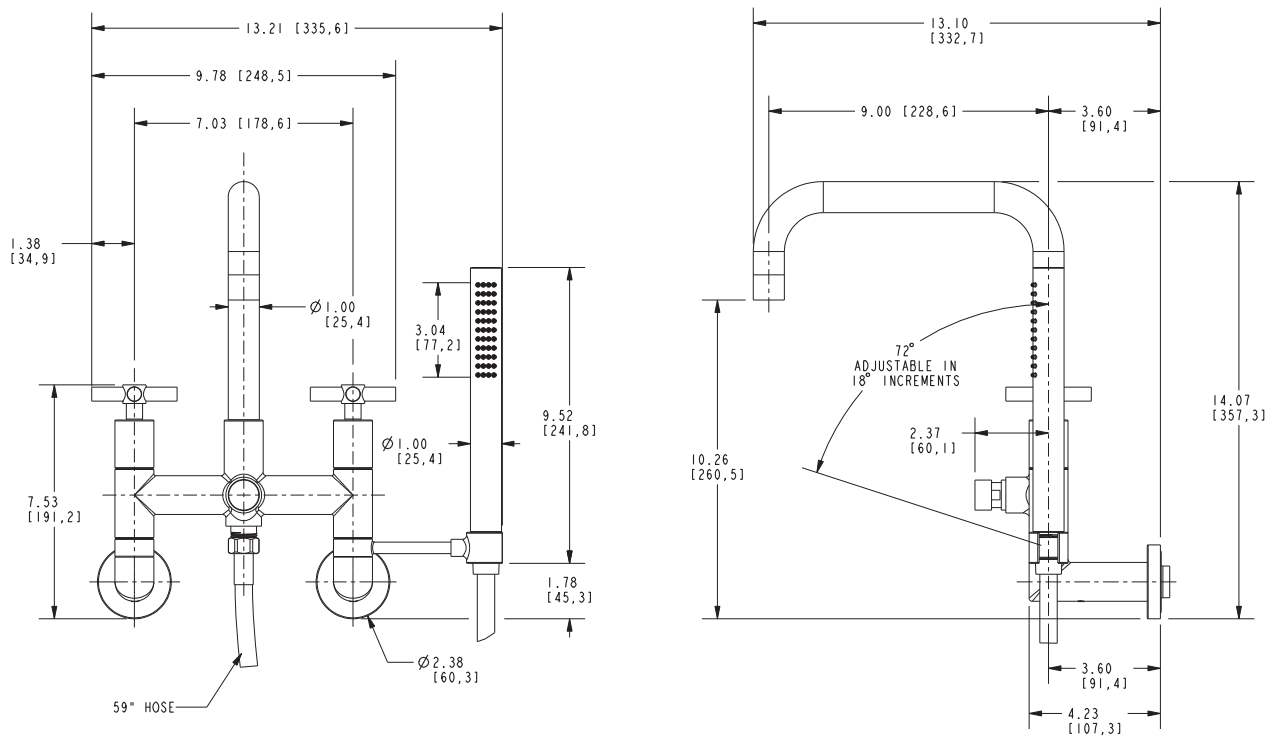
### Product Specification Add "Color / Finish" suffix to Model number, below.

The Exposed Tub and Handshower Set shall be made of solid brass construction and incorporate quarter-turn washerless ceramic disc valve cartridges. Exposed Tub and Handshower Set shall incorporate a push button diverter and ADA complaint cross handles. Product shall be designed for wall-mounted configurations. Product shall have a 12.60" (32.0 cm) tub spout reach (wall-center). Product shall feature a solid brass handshower having a spray area of 3" x 3/4" (7,6 cm x 1,9 cm) and a 1.8 gallons (6.7 liters) per minute maximum flow rate. Exposed Tub and Handshower Set shall be Newport Brass Model 1400-4282/\_\_\_\_\_. [Required Wall Mounting Nipple Kit (1/2" NPT) shall be 1-483.]

# 1400-4282

## PRODUCT DIMENSIONS *(Units are in inches)*

Product Dimensions are provided for reference only. For specific product installation guidelines, please reference the Installation Instructions of the product being installed.



## East Square Tub and Handshower Set 1400-4282